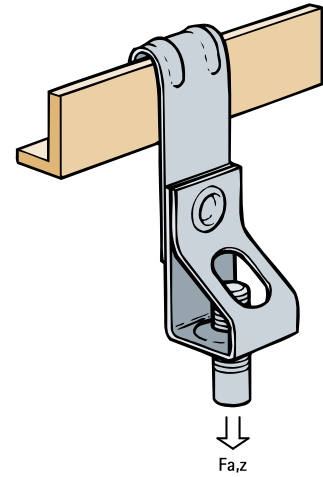


Britclips® Vertical Flange Threaded Rod Hanger

(J 40 160)

for vertical flanges 1 - 7 mm

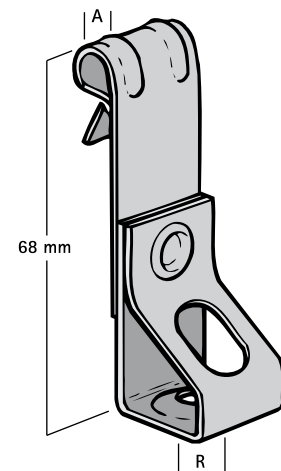


Features and benefits

- for quick and easy fixing to vertical flanges
- with threaded rod holder (rod height adjustable by screwing)
- material: spring steel (type CS70)
- surface treatment: Delta-Tone 9000 (480 hours)

Code	Wnr	A (mm)	R	F _{a,z} (N)	
04681	VF1-8MT	1 - 5	M8	700	25
04682	VF1-10 MT	1 - 5	M10	720	25

For use with static loads only.



Complementary
Walraven Stud Bolt
Walraven Threaded Rod