

Ductile Iron Gate Valve

CIV3



Features and Benefits

- Ductile iron body and bonnet with high strength and impact resistance
- Rubber encapsulated DI wedge to ensure drop tight sealing
- Rubber bonnet gasket for longevity and protection of bonnet bolts
- Stainless steel stem with high strength and corrosion resistance
- Back sealing facility to allow for replacement of seals under full operating pressure
- Straight through full bore to avoid debris traps
- Isolated fasteners for corrosion protection
- Wiper ring to prevent impurities from entering the stem sealing system
- Anti friction thrust washer for low operating torques
- Integral cast foot for safe and easy storage
- Full diameter waterway hand wheel, square cap operation

Applicable Standards

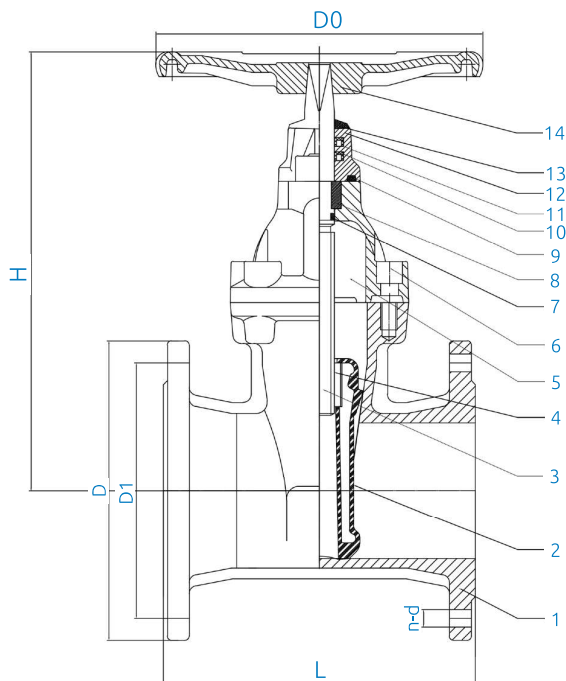
- Design standard: BS 5163
- Face to face standard: BS 5163
- Flange standard: BS4504 PN 10/16
- Testing standard EN 12266-1

Technical Data

- Non-rising stem gate valve
- Handwheel operated
- Body: ductile iron
- Gate: ductile iron & WRAS EPDM
- Stem: SS410
- BS5163
- Size: DN65 - 300
- Nominal Pressure: PN 16
- Temp. Range: -10°C to +90°C
- Suitable For: Water and neutral liquids

Material Specifications

| NO | NAME | MATERIAL | SPECIFICATION |
|----|---------------|-----------------|---------------------|
| 1 | Body | Ductile Iron | GGG50 |
| 2 | Wedge | GGG50 + EPDM | Ductile Iron + EPDM |
| 3 | Stem | Stainless Steel | SS410 |
| 4 | Wedge Nu | Brass | Brass |
| 5 | Bonnet | Ductile Iron | GGG50 |
| 6 | Bolt | | |
| 7 | O Ring | EPDM / NBR | EPDM / NBR |
| 8 | Stem Collar | Brass | Brass |
| 9 | Bonnet Gasket | EPDM / NBR | EPDM / NBR |
| 10 | V Ring | EPDM / NBR | EPDM / NBR |
| 11 | V Ring | EPDM / NBR | EPDM / NBR |
| 12 | Top Cap | Ductile Iron | GGG50 |
| 13 | Dust Shield | EPDM / NBR | EPDM / NBR |
| 14 | Hand Wheel | Ductile Iron | GGG50 |



▶ Ductile Iron Gate Valve (Continued)

CIV3  



Product Codes & Dimensions

| STOCK NO. | SIZE (mm) | L | D0 | H | D | D1 | D2 | n-ø | F | B | HAND WHEEL WEIGHT (kg) | TORQUE |
|-----------|-----------|-----|-----|-----|-----|-----|-----|---------|---|----|------------------------|--------|
| 38813 | 50 | 178 | 160 | 220 | 165 | 125 | 99 | 4 - 19 | 3 | 19 | 10.5 | 60 |
| 38956 | 65 | 190 | 180 | 235 | 185 | 145 | 118 | 4 - 19 | 3 | 19 | 12.5 | 75 |
| 38957 | 80 | 203 | 200 | 280 | 200 | 160 | 132 | 8 - 19 | 3 | 19 | 16.0 | 75 |
| 38958 | 100 | 229 | 200 | 320 | 220 | 180 | 156 | 8 - 19 | 3 | 19 | 21.0 | 100 |
| 38959 | 125 | 254 | 250 | 360 | 250 | 210 | 184 | 8 - 19 | 3 | 19 | 29.0 | 125 |
| 38960 | 150 | 267 | 250 | 400 | 285 | 240 | 211 | 8 - 23 | 3 | 23 | 35.0 | 150 |
| 38961 | 200 | 292 | 322 | 510 | 340 | 295 | 266 | 12 - 23 | 3 | 23 | 57.0 | 200 |
| 38967 | 250 | 330 | 353 | 600 | 405 | 355 | 319 | 12 - 28 | 3 | 28 | 92.0 | 250 |
| 38834 | 300 | 356 | 353 | 675 | 460 | 410 | 370 | 12 - 28 | 4 | 28 | 129.0 | 300 |