

DZR Brass Lever Ball Valve - Compression

LBV1C



Features and Benefits

- Compression ended
- DZR brass construction
- Full bore, bi-directional flow
- PTFE seats & seals
- WRAS approved
- Locking lever & spindle extension
- Options available

Technical Data

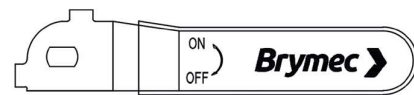
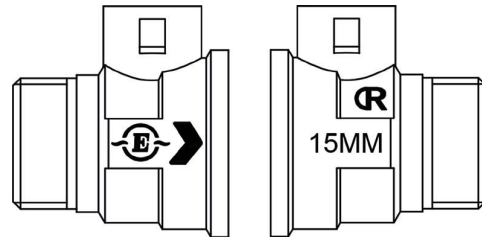
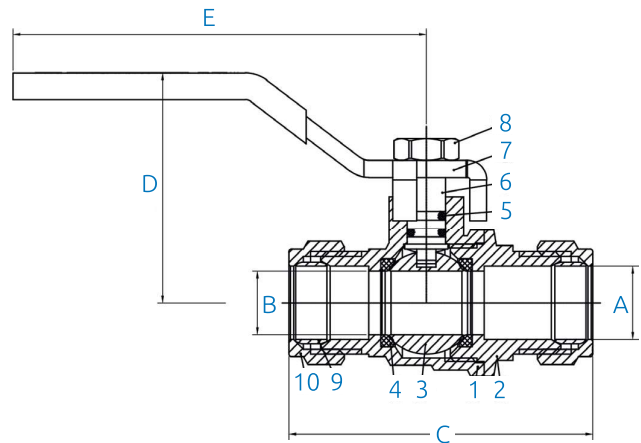
- Fields of applications: water
- Maximum working pressure: PN25
- Working temperature: -10°C to +110°C

Applicable Standards

- Compression connections comply with BS EN 1254-2
- WRAS approved

Material Specifications

NO	NAME	MATERIAL	QUANTITY	OTHER
1	Body	CZ132	1	Natural
2	Bonnet	CZ132	1	Natural
3	Ball	Brass	1	Chrome Plated
4	Ball Seat	PTFE	2	WRAS Approved
5	O Ring	NBR	2	WRAS Approved
6	Stem	Brass	1	Natural
7	Nut	Q235	1	Nickel Plating
8	Handle	Q235+PVC	1	Red & Blue Chrome Plated
9	Comp Nut	Brass	2	Natural
10	Olive	T2	2	-



Product Codes & Dimensions

STOCK NO	DN/A	B	C	D	E
38849	15	13	63.5	47.5	86
38850	22	19	80.0	51.5	86
38851	28	24	82.5	63.5	111.4
38852	35	32	110.5	74.3	138.5
38853	42	40	120.0	84	138.5
38854	54	49	136.5	90	169