

# Brass Butterfly Handle Ball Valve

## FxF BSPP

LBV3



### Features and Benefits

- Red & Blue butterfly T handle
- Full Bore, Bi-directional flow
- F x F BSP threaded

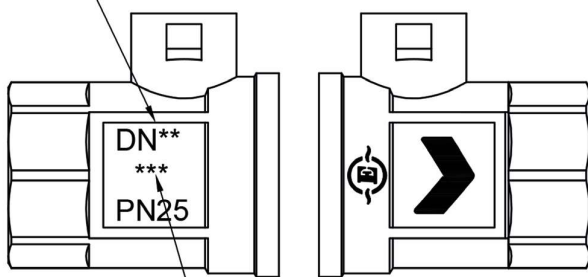
### Applicable Standards

- Valves are manufactured in accordance with EN13828
- Female thread connections are to ISO228
- WRAS approved, full bore

### Technical Data

- Fields of applications: water
- Maximum working pressure: 25 Bar
- Operating temperature range: -20°C to +120°C

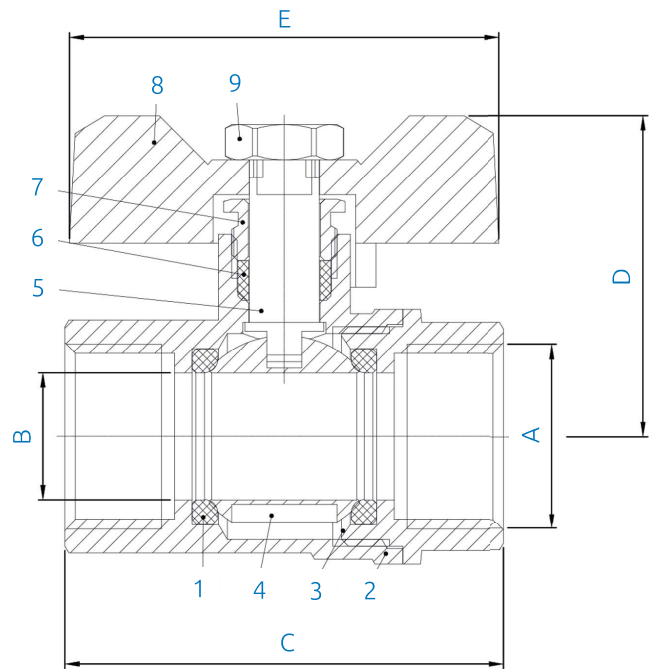
DN8 / DN10 / DN15 / DN20 / DN25



1/4" / 3/8" / 1/2" / 3/4" / 1"

### Product Codes & Dimensions

STOCK NO	DN	SIZE	A	B	C	D	E
36667	8	G 1/4	10	44	35.4	49	
36668	10	G 3/8	10	44	35.4	49	
30473	15	G 1/2	14.5	50	41	49	
30474	20	G 3/4	19	59	41	49	
36669	25	G 1	24	65	53	65.5	



### Material Specifications

ITEM	PARTS	MATERIAL	QTY	OTHER
1	Body	HPb59-T	1	NP
2	Bonnet	HPb59-T	1	NP
3	Ball	HPb59-T	1	Chrome Plated
4	Ball Seat	PTFE	2	WRAS
5	Stem	HPb59-T	1	NP
6	Packing	PTFE	1	WRAS
7	Lock Nut	HPb59-T	1	NP
8	Bfy Handle	Aluminium Alloy	2	Red & Blue
9	Nut	Q235	1	NP