

Stainless Press 90 MF Elbow MSP12



Technical Data

- Operating temperature -20°C ~ +120°C
- 316L Stainless Steel fitting
- EPDM Sealing ring
- "M" Profile Press Jaws or slings
- Approved tools include Novapress, REMS, Rothenberger and Ridgid
- Max Working Pressure
 - 15mm - 28mm : 40 bar
 - 35mm - 54mm : 25 bar
 - 76mm - 108mm : 16 bar

Features and Benefits

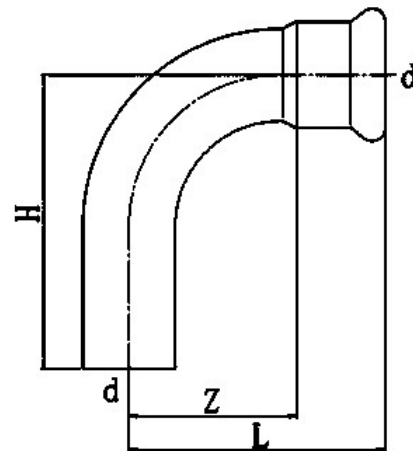
- Suitable for Potable water, Cooling systems, Industrial applications
- High grade Stainless Steel is extremely durable and corrosion resistant
- Blue plastic film which will fall off when crimped for easy identification of pressed joint
- Dust covers
- 30 Year Warranty

Applicable Standards

- WRAS Approved
- 316L grade stainless steel fitting
- DVGW-W534

Material Specifications

Description	Materials
Body	316L Stainless Steel
Crimp indicator film	PVC, Blue
O-Ring	EPDM
Dust Cap	PE



Product Codes and Dimensions

STOCK NO.	d (mm)	L (mm)	H (mm)	Z (mm)
29308	15	43	49	23
29309	22	53	57	32
29310	28	64	71	41
29311	35	78	90	52
29312	42	90	102	60
29313	54	110	122	75
29314	76	157	173	104
29315	89	178	199	118
29316	108	215	235	140