

Monolink 25

H Block complete with ART 25

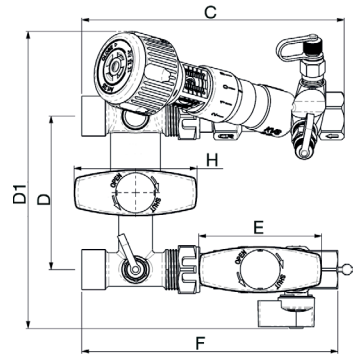
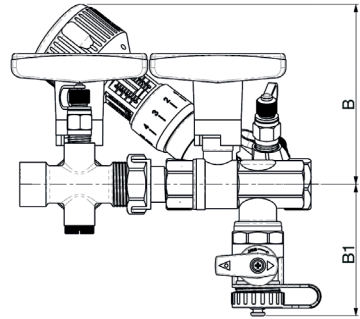


Features

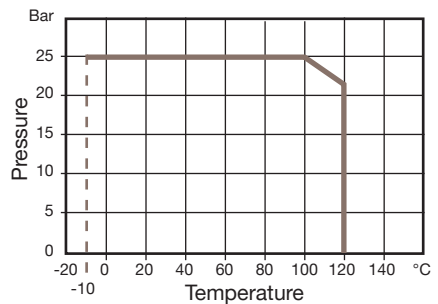
- BSP Connections
- Material DZR Brass EN12165 - CW602N-M
- Tested in accordance with EN 12266-1:2012
- 5 year guarantee

Technical data

Max pressure: 25 Bar
Working temp: -10°C to +120°C



DN	1/2"	3/4"	1"
Ø	15	20	25
B	106	122	132
B1	77	81	91
C	171	202	241
D	100	100	150
D1	193	201	253
E	80	80	80
F	167	197	243
H	80	80	80



Part Name

ART 25	FODRV
ART 731	H Block
ART 630	Ball valve, strainer and drain cock