

DZR Brass Lever Ball Valve - FxF BSPT

LBV1

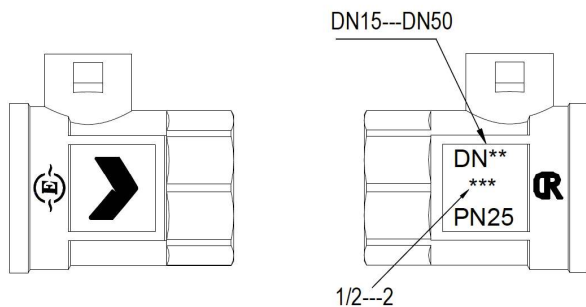


Features and Benefits

- Screwed BSP Taper threads
- PTFE seats & seals
- Anti blow out stem
- Full bore, bi-directional flow
- Red & Blue handle included
- Locking lever & extension

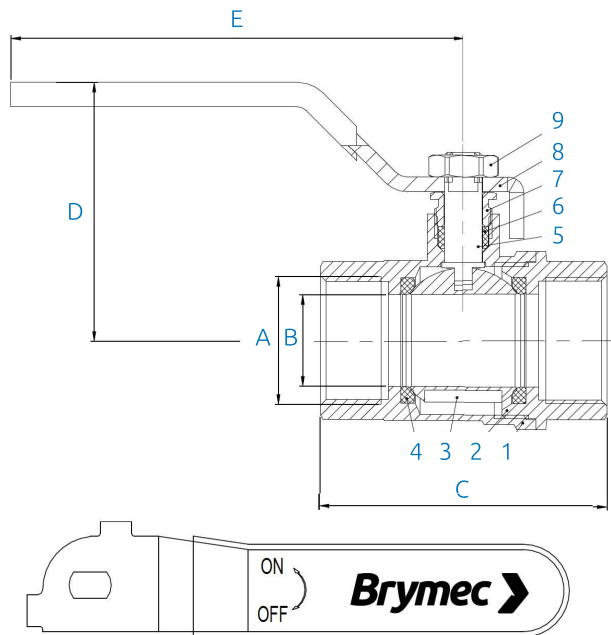
Technical Data

- Fields of applications: water
- Maximum working pressure: PN25
- Working temperature: -20°C to +120°C
- Full bore



Applicable Standards

- Valves are manufactured in accordance with: EN13828
- Female thread connections are to: ISO 7/1
- WRAS approved



Product Codes & Dimensions

STOCK NO.	A (DN)	B (mm)	C (mm)	D (mm)	E (mm)
38835	1/2"	14.5	55	50	93
38836	3/4"	19	67	53	93
38837	1"	24	75	62	115
38838	1 ¼"	30	75	72	127
38839	1 ½"	40	95	76	162
38840	2"	45	117	91	180

Material Specifications

NO	COMPONENT	MATERIAL	QUANTITY	OTHER
1	Body	CW602N	1	Natural
2	Seat	CW602N	2	Natural
3	Ball	CW602N	1	Chrome Plated
4	Ball Seat	PTFE	1	-
5	Stem	Brass	1	Natural
6	Packing	PTFE	1	-
7	Lock Nut	Brass	1	Natural
8	Handle	Q235+PVC	1	Red & Blue
9	Nut	Q235	1	Zinc Plated