

# Brass Solenoid Valve 240V Normally Closed - EPDM

## SOL1



### Features and Benefits

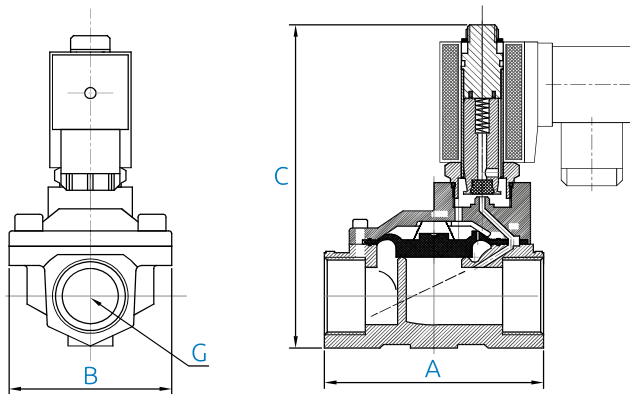
- Normally Closed, Pilot Operated
- 230V as standard
- Brass Body, EPDM Diaphragm
- Alternatives sizes and materials available
- Normally Open & zero pressure
- differential versions
- 12VDC, 24VDC, 24VAC & 110VAC options
- WRAS Approval and performance tested

### Technical Data

- Field of application: Water
- Maximum Working Pressure: PN16
- Working Temperature: -20°C to +120°C

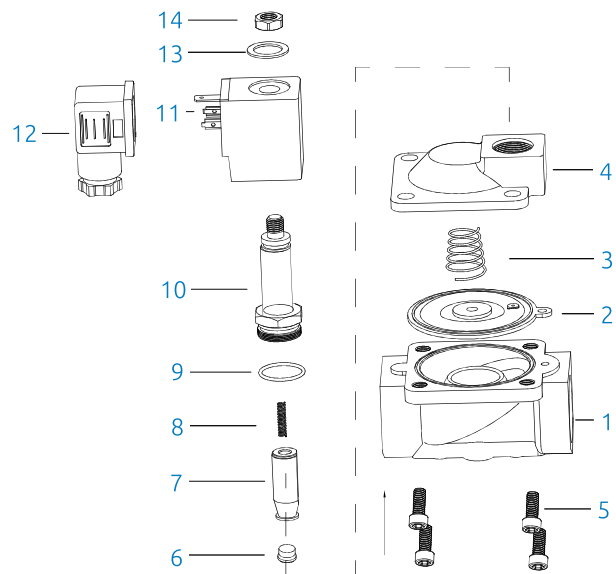
### Applicable Standards

- Thread Standard ISO 228/1
- WRAS Approved



### Product Codes & Dimensions

STOCK NO	DN	G	A	B	C
36590	1/2"	1/2"	66	48	112
36591	3/4"	3/4"	75	58	118
36592	1"	1"	96	70	131
36593	1 1/4"	1 1/4"	131	96	146
36594	1 1/2"	1 1/2"	131	96	146
36595	2"	2"	165	120	167



### Material Specifications

PART NO	PART NAME	MATERIAL
1	Valve Body	Brass/Stainless Steel 316
2	Diaphragm	NBR / EPDM / Viton
3	Diaphragm Spring	Stainless Steel 304
4	Valve Cover	Brass/Stainless Steel 316
5	Bolt	Stainless Steel 302
6	Pilot Seal	NBR / EPDM / Viton
7	Pilot	Stainless Steel 1J117
8	Pilot Spring	Stainless Steel 304
9	O Ring	NBR / EPDM / Viton
10	Plunger Tube Unit	Stainless Steel 304 + 1J117
11	Coil	Enamelled Wire
12	Plug	Nylon
13	Washer	Stainless Steel 302
14	Lock Nut	Stainless Steel 302