

Brass Gate Valve - FxF BSPP

GVA1



Features and Benefits

- Female threaded ends
- Brass body & Gate (wedge)
- PTFE seat & packing

Applicable Standards

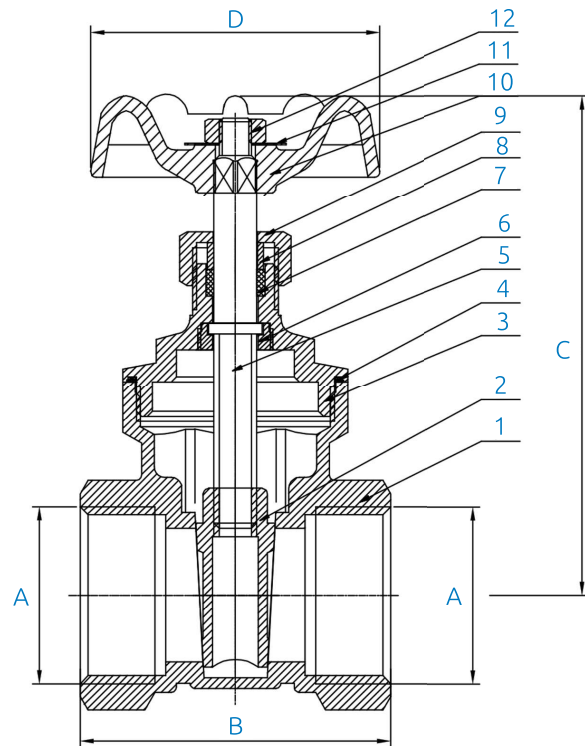
- Valves are manufactured to: BS5154 (BS EN 12288)
- BSP Parallel ISO 228/1 connections

Technical Data

- Suitable for: Water & Oil Systems
- Max. Working Pressure: PN20
- Max. Working Temp: 90°C

Material Specifications

NO	NAME	MATERIAL	QUANTITY
1	Body	HPb59- T	1
2	Gate	HPb59- T	1
3	Bonnet	HPb59- T	1
4	Sealing Washer	PTFE	1
5	Stem	HPb59- T	1
6	Lock Ring	HPb59- T	1
7	Packing	PTFE	1
8	Lock Nut	HPb59- T	1
9	Lock Ring	HPb59- T	1
10	Handle	Cast Iron	1
11	Nameplate	AL	1
12	Nut	45#	1



Product Codes & Dimensions

STOCK NO	DN	A	B	C	D	Kgs
30777	½"	G1/2	47	78	55	0.21
30778	¾"	G3/4	52	82	55	0.25
30779	1"	G1	58	90	59	0.35
30782	1 ¼"	G1 1/4	74	110	59	0.71
30783	1 ½"	G1 1/2	81	127	71	0.92
30784	2"	G2	88	150	77	1.42
30785	2 ½"	G2 1/2	94	163.5	100	2.55
30786	3"	G3	103	190	110	3.22
30789	4"	G4	119.5	235	130	5.76