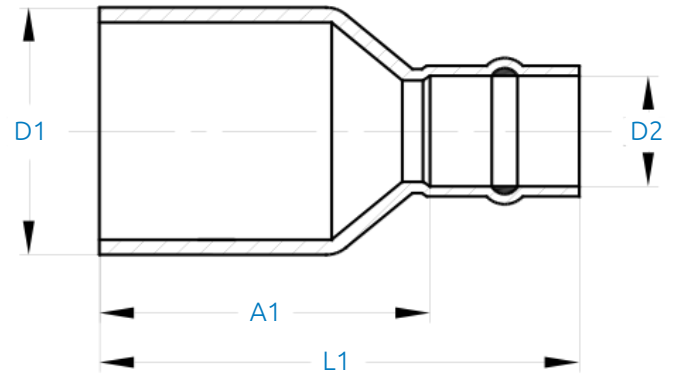


# Solder Ring Fitting Reducer SRF 03



## Features & Benefits

- Pre-soldered capillary fitting
- Suitable for standard metric copper pipes
- WRAS Approved
- Material Cu-DHP / TP2 / CW024A / C12200
- Conforms to BS EN 1254-1:1998

## Versions and Products Codes

STOCK NO.	SIZE D1	SIZE D2	L1	A1
30374	22	15	41.5	28.5
30375	28	15	46.5	33.5
30376	28	22	47.5	29.5
30377	35	15	54.5	41.5
30378	35	22	56.0	38.0
30379	35	28	57.0	36.0
30380	42	15	63.0	50.0
30381	42	22	65.5	47.5
30382	42	28	65.5	44.5
30383	42	35	68.0	42.0
30384	54	22	77.0	59.0
30385	54	28	78.0	57.0
30386	54	35	79.0	53.0
30387	54	42	80.0	49.0