

Ductile Iron Double Regulating Valve

COM3



Features and Benefits

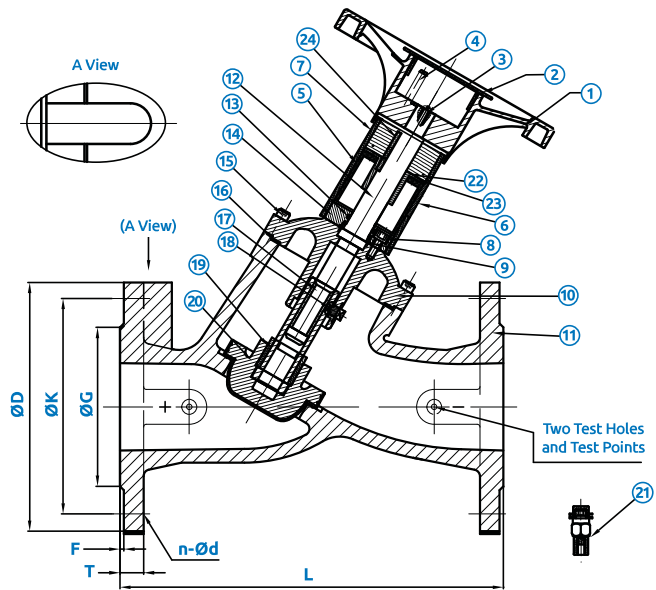
- Position indicator
- Supplied with 2 test points and extensions
- EPDM cone seating gives tight shut off
- Conforms to BS 7350 / BS 5152

Technical Data

- Max pressure 16 Bar
- Working temp: -20°C to +120°C
- Flange mounting PN16 only
- Flange conforms to BS EN1092 PN16

Material Specifications

NO	NAME	MATERIAL
1	Handwheel	Aluminium Alloy / Steel
2	Handwheel Cover	Plastic
3	Handwheel Lock Screw	Stainless Steel 304
4	Adjusting Screw	Stainless Steel 304
5	Indication Tube	Plastic
6	Transparent Scale	Plastic
7	Connection Tube	ABS Plastic
8	Hexagon Socket Screw	Carbon Steel
9	O-Ring	EPDM
10	Cover	Cast Iron
11	Body	Ductile Iron
12	Stem	Stainless Steel 410
13	O-Ring	EPDM
14	Packing Gland	Stainless Steel 410
15	Hexagon Socket Screw	Carbon Steel
16	Graphite Gland	Graphite



NO	NAME	MATERIAL
17	Stem Nut	HPb59-1
18	Positional Screw	Stainless Steel 304
19	Nut Cover	HPb59-1
20	Disc wrapped in rubber	Cast Iron + EPDM
21	Test Points	-
22	Drive Plate	Stainless Steel 410
23	Screw	Carbon Steel
24	Flat Key	Stainless Steel 410

Product Codes and Dimensions

STOCK NO	Size	D (mm)	K (mm)	n-Ød (mm)	T (mm)	G (mm)	F (mm)	L (mm)	A (mm)	Kv	Kgs
38777	2"	165	125	4 - 19	19	99	3	230	370	48.2	12.4
38912	2½"	185	145	4 - 19	19	118	3	290	430	82.6	15.8
38913	3"	200	160	8 - 19	19	132	3	310	440	117.4	20.8
38914	4"	220	180	8 - 19	19	156	3	350	470	211.4	29.8
38915	5"	250	210	8 - 19	19	184	3	400	520	381.5	41.7
38916	6"	285	240	8 - 23	19	211	3	480	570	462.4	55.6
38917	8"	340	295	12 - 23	20	266	3	600	730	790.0	125.5
38778	10"	405	355	12 - 28	22	319	3	730	830	1135	194
38779	12"	460	410	12 - 28	24.5	370	4	850	950	2022	288