

Male Iron Multilayer Crimp Coupler

MLF 45



Technical Data

- Working Pressure 0.8MPa
- Maximum Pressure 1.0MPa
- Working Temperature 80°C
- Maximum Temperature 95°C
- Compatible Press Profiles U / H / TH
- Suitable for water and neutral liquids

Applicable Standards

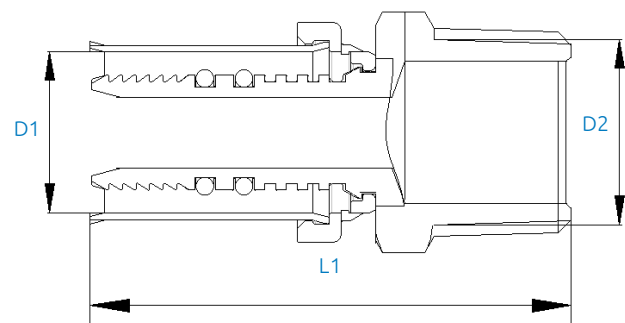
- Manufactured to EN Standard EN ISO 21003-3
- WRAS Approved
- Thread Standard ISO 228, ISO 7

Features and Benefits

- Commercial quality, solid brass fittings for strength and robustness
- Each fitting has 2 or more O-rings giving an outstanding seal. Pipe inserts are not needed
- Flexible and formable pipe allows for a fast installation process with reduced fittings
- Extremely lightweight compared to metal pipes
- Pipe Warranty 25 Years
- Fitting Warranty 5 Years
- System Warranty 25 Years

Material Specifications

Description	Materials
Body	Brass - CW617N/CW602N
Plastic Collet	Plastic - PE, Blue
Crimping Sleeve	Stainless Steel - SUS304
O Ring	Rubber - EPDM



Product Codes and Dimensions

STOCK NO.	D1	D2	L1
51081	16	1/2"	49.2
51083	20	1/2"	49.2
51084	20	3/4"	50
51082	25	3/4"	52
51085	25	1"	53
51088	32	1"	57.5