

# Copper Press End Cap (M-Profile)

## MCP 55



### Technical Data

- Working Pressure 16 Bar @ 95°C
- "M" profile press jaws or slings
- Approved tools include Novapress, REMS, Rothenberger and Ridgid

### Applicable Standards

- WRAS approved
- For use with type TX copper tubing conformant to EN 1057
- Manufactured to EN1254 standard

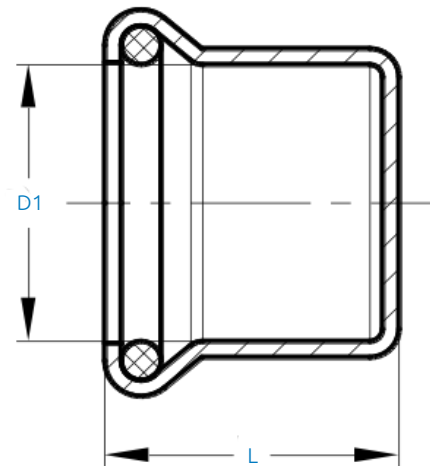


### Features & Benefits

- Durable and secure leak proof joint
- Braze free, permanent joint - no hot works required
- Huge time and resource savings
- 25 Year warranty
- Blue plastic film which will fall off when crimped for easy identification of pressed joint
- 2 point press
- Dust Covers

### Material Specifications

NO	Description	Materials
1	Body	Cu-DHP (CW024A)
2	Crimp indicator film	PVC, Blue
3	O-Ring	EPDM
4	Dust Cap	PE



### Product Codes and Dimensions

STOCK NO.	D1	L1
27960	15	23
27961	22	24.5
27962	28	26.5
27963	35	29.5
27964	42	34
27965	54	39
27966	67	64
27967	76	58