

Chrome Full Bore Isolating Valve

ISO1FB

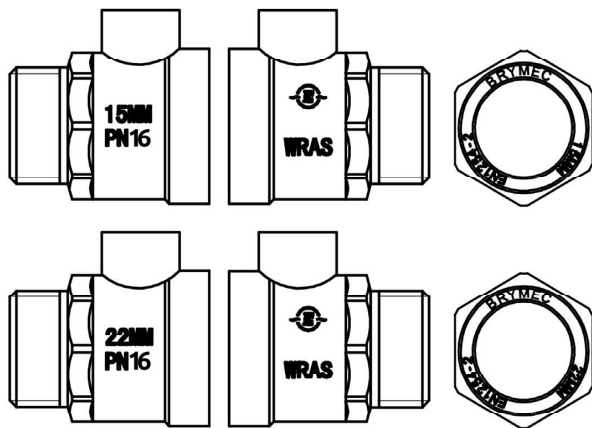


Features and Benefits

- Chrome isolating valve with compression ends
- WRAS approved heavy pattern
- Non-shock, use only fully opened or closed

Applicable Standards

- Compression connections comply with: EN1254-2
- Valves are manufactured to BS6675
- WRAS Approved

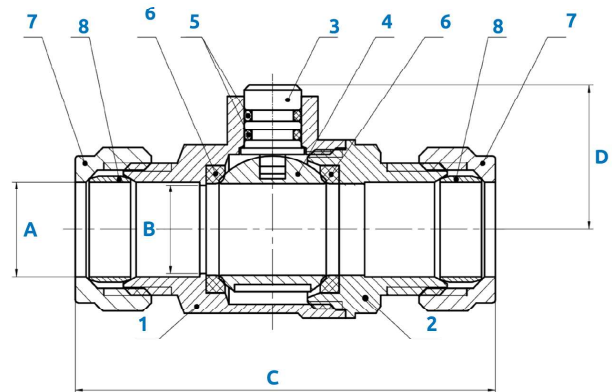


Product Codes & Dimensions

STOCK NO.	DN	A	B	C	D
30833	15	15	13.5	67	22.8
30834	22	22	19	69	27

Technical Data

- Fields of Applications: Water
- Max. Working Pressure: PN10
- Operating Temp. Range: -10 to + 90°C



Material Specifications

NO	NAME	MATERIAL	QUANTITY
1	Body	HPb59- 3	1
2	Bonnet	HPb58- 2	1
3	Sealing	PTFE (WRAS approval)	2
4	Ball	HPb56- 4	1
5	Stem	HPb58- 2	1
6	O-Ring	EPDM (WRAS approval)	2
7	Olive	T2	2
8	Hexagonal Nuts	HPb59- 3	2