

Stop Cock WRAS Approved - Compression



Features and Benefits

- Bronze body with compression ends
- For use with copper pipework systems
- WRAS Approved

Applicable Standards

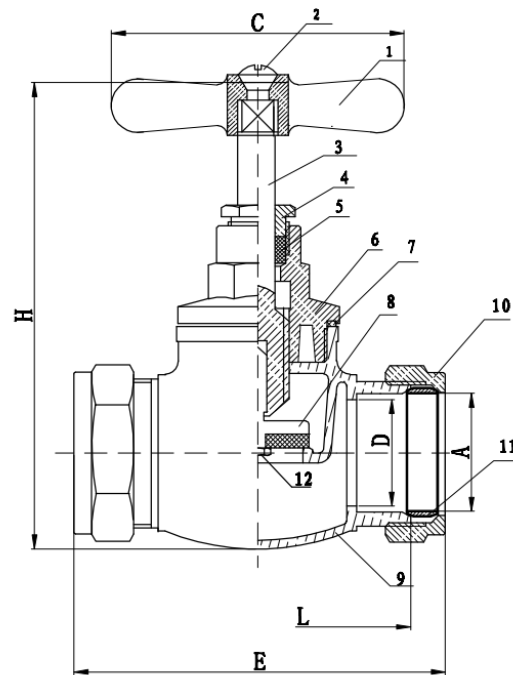
- Valves are manufactured to: EN1213
- Compression connections comply with: EN1254-2
- WRAS approved

Product Codes and Dimensions

STOCK NO	A (mm)	E (mm)	H (mm)
30842	35	128	109
30843	42	142	121
30845	54	175	135

Technical Data

- Suitable for Copper pipework systems
- Max. Working Pressure: 16 bar (85°C)
- Operating Temp: -10 ~ +85°C



Material Specifications

NO	NAME	MATERIAL	QUANTITY
1	Screw	HPb59- T	1
2	Handle	HPb59- T	1
3	Stem	HPb59- T	1
4	Lock Nut	HPb59- T	1
5	Packing	PTFE	1
6	Bonnet	HPb59- T	1
7	Sealing Gasket	PTFE	1
8	Seat	HPb59- T	1
9	Body	Bronze	1
10	Compression Nut	HPb59- T	2
11	Olive	T2	2
12	Nut	HPb59- T	1