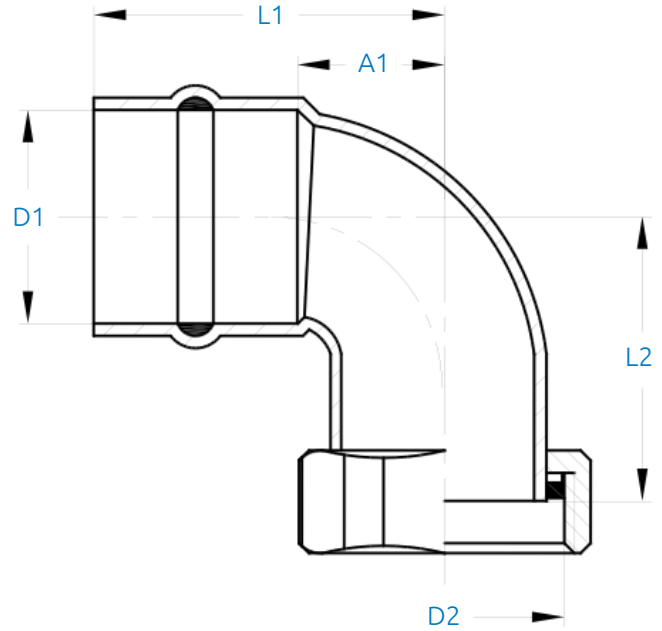


Solder Ring Bent Tap Connector SRF 63



Features & Benefits

- Pre-soldered capillary fitting
- Suitable for standard metric copper pipes
- WRAS Approved
- Material Cu-DHP / TP2 / CW024A / C12200
- Conforms to BS EN 1254-1:1998

Versions and Products Codes

STOCK NO.	SIZE D1	SIZE D2	L1	A1	L2
30408	15	1/2"	33	20	19
30409	22	3/4"	53	35	34