

Rapid Coupler CIS05



Technical Data

- Stainless Steel Coupling with EPDM Gasket
- Suitable for External and Below Ground applications
- Axial Restraint up to 0.5 Bar
- DN50-100 – Single Bolt
DN125-300 – Double Bolt
- 6mm Hex Driver – DN50 – 150
8mm Hex Driver – DN200 - 300

Applicable Standards

- Pipe and Fittings Standard: EN 877
- EPDM: EN 681-1:1996

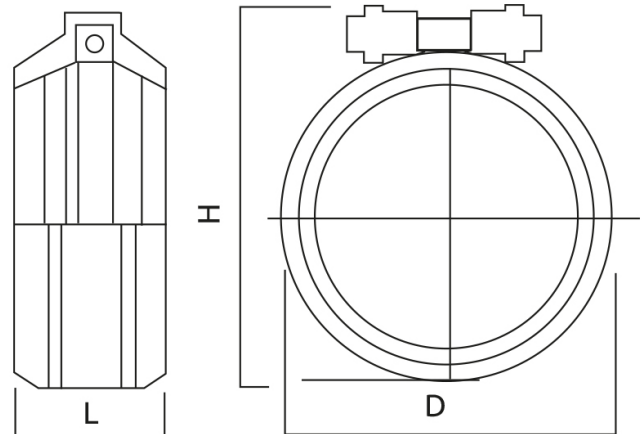


Features and Benefits

- Tried and tested coupling for all standard application in wastewater pipelines
- Single bolt fixing for popular sizes
- Integrated EPDM gasket for sound reduction
- High lateral rigidity
- Rapid and simple assembly
- Use in combination with the Rapid Clamp for high pressure / restraint joints

Material Specifications

Description	Materials
Coupling	Stainless Steel V4A 1.4571
Gasket	EPDM, Shore = 55° (+/-5°)
Clamping Bolt	Stainless Steel A4-80



Product Codes and Dimensions

STOCK NO.	Nominal Diameter (mm)	Tightening Torque (N/m)	H (mm)	D (mm)	L (mm)	Weight (Kg)
52017	50	13-15	80	70	40	0.13
52018	70	13-15	100	90	40	0.15
52019	100	13-15	135	125	46	0.19
52020 *	125	13-15	162	147	55	0.30
52021	150	13-15	187	172	55	0.32
52022	200	13-15	244	227	70	0.67
52040 *	250	13-15	306	293	96	1.38
52041 *	300	13-15	360	345	96	1.50

* Special Order / Project Items