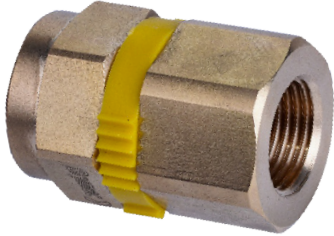


# CSST Female BSPP Adaptor CSS 46



This Brymec product is not manufactured by and has no connection with GFS Flex



KM 714530  
BS EN 15266: 2007



## Technical Data

- Thread BSP parallel
- Manufactured to BS EN 15266 CSST Gas installation in buildings
- Max operating pressure 0.5 Bar
- Removable yellow clip for simple installation
- 1st, 2nd & 3rd family gases to EN 437
- Fire classification: B-s1-d0

## Tightening Torque

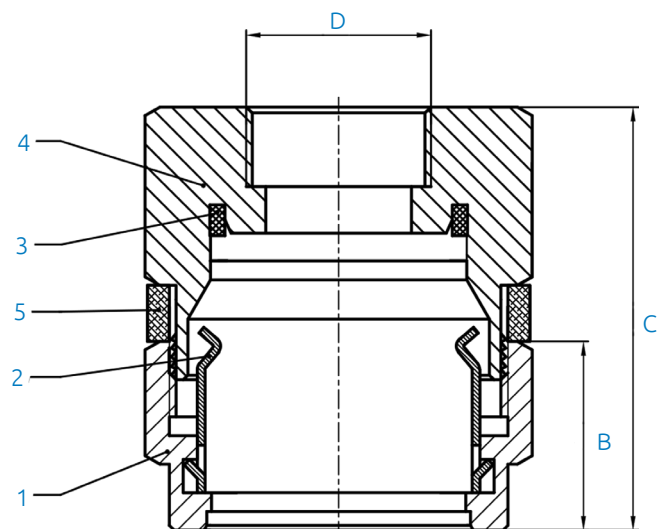
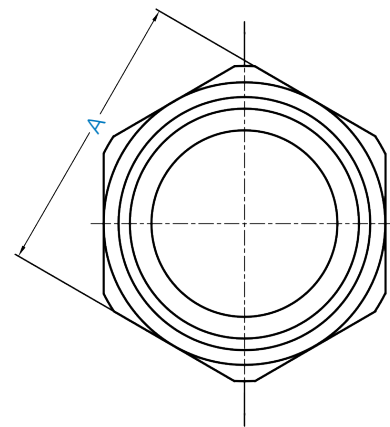
TUBE DIAMETER DN	Min (Nm)	Max (Nm)
DN15	65	95
DN20	90	130
DN25	105	150
DN32	125	170

## Features and Benefits

- Easy installation
- No welding, no painting, no overwrapping required
- Chemical resistant
- Push fit and tighten fittings provide a fast connection and perfectly even flare
- Compression fittings provide dual metal/metal and silicone rubber seal
- Time and labour saving
- 10 year warranty on CSST and fittings

## Materials Specifications

NO.	COMPONENT	MATERIAL	REF
1	Nut	CW 614 N	EN 12165
2	Retainer	Cw458K	EN 12164
3	Flat Gasket	NBR	EN 549/A2/H3
4	Nipple Body	CW 614 N	EN 12164
5	Clip Ring	Plastic	-



## Product Codes & Dimensions

STOCK NO.	SIZE	A (mm)	B (mm)	C (mm)	D (BSPP)
29067	DN15 x 1/2"	32	23.0	52.5	G1/2
29069	DN20 x 3/4"	35	22.5	52.5	G3/4