

Stainless Press Equal Tee MSP30



Features and Benefits

- Suitable for Potable water, Cooling systems, Industrial applications
- High grade Stainless Steel is extremely durable and corrosion resistant
- Blue plastic film which will fall off when crimped for easy identification of pressed joint
- Dust covers
- 30 Year Warranty

Material Specifications

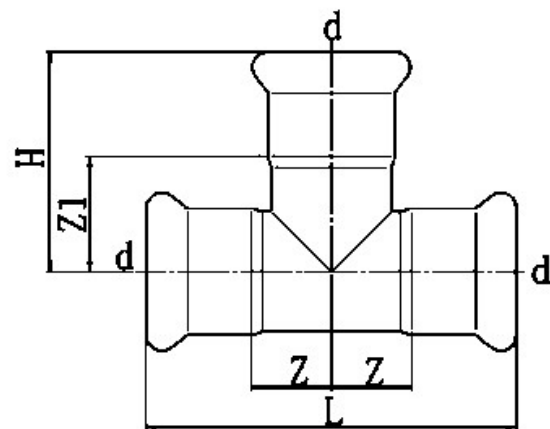
Description	Materials
Body	316L Stainless Steel
Crimp indicator film	PVC, Blue
O-Ring	EPDM
Dust Cap	PE

Technical Data

- Operating temperature -20°C ~ +120°C
- 316L Stainless Steel fitting
- EPDM Sealing ring
- "M" Profile Press Jaws or slings
- Approved tools include Novapress, REMS, Rothenberger and Ridgid
- Max Working Pressure
 - 15mm - 28mm : 40 bar
 - 35mm - 54mm : 25 bar
 - 76mm - 108mm : 16 bar

Applicable Standards

- WRAS Approved
- 316L grade stainless steel fitting
- DVGW-W534



Product Codes and Dimensions

STOCK NO.	d (mm)	L (mm)	H (mm)	Z (mm)	Z1 (mm)
29376	15	66	39	13	19
29377	22	74	44	16	23
29378	28	84	52	19	29
29379	35	100	57	27	31
29380	42	114	66	27	36
29381	54	138	77	34	42
29382	76	230	111	62	58
29383	89	260	128	70	68
29384	108	310	156	75	81