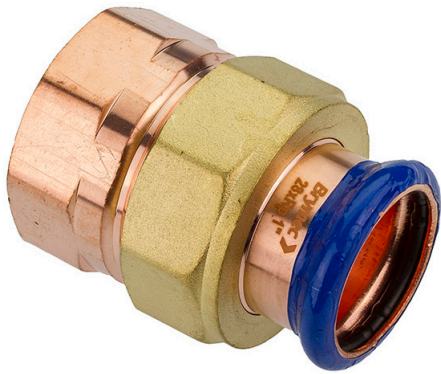


# Copper Press Female Union - Conical Seal (M-Profile)

## MCP 69



### Technical Data

- Working Pressure 16 Bar @ 95°C
- "M" profile press jaws or slings
- Approved tools include Novapress, REMS, Rothenberger and Ridgid
- Male thread BSPT

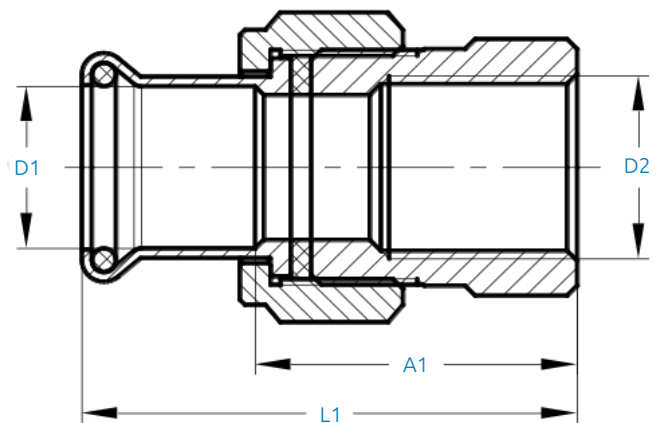
### Applicable Standards

- WRAS approved
- For use with type TX copper tubing conformant to EN 1057
- Manufactured to EN1254 standard



### Features & Benefits

- Durable and secure leak proof joint
- Braze free, permanent joint - no hot works required
- Huge time and resource savings
- 25 Year warranty
- Blue plastic film which will fall off when crimped for easy identification of pressed joint
- 2 point press
- Dust Covers



### Material Specifications

NO	Description	Materials
1	Body	Cu-DHP (CW024A)
2	Crimp indicator film	PVC, Blue
3	O-Ring	EPDM
4	Dust Cap	PE
5	Nut	Brass

### Product Codes and Dimensions

STOCK NO.	D1	D2	L1	A1
28190	15	1/2"	43	26
28192	22	3/4"	49.5	28.5
28195	28	1"	56	33
28196	35	1 1/4"	73.5	47.5
28197	42	1 1/2"	67	37
28198	54	2"	77	42