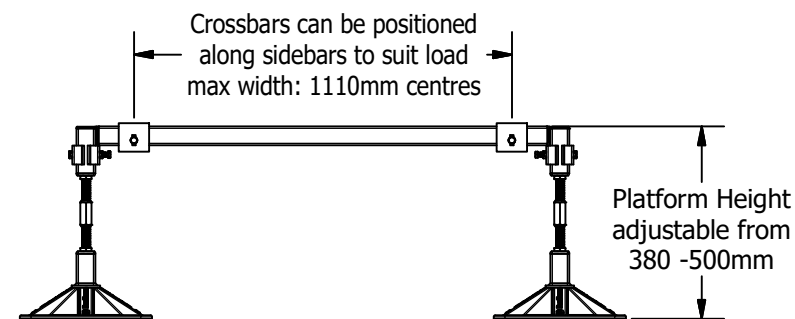
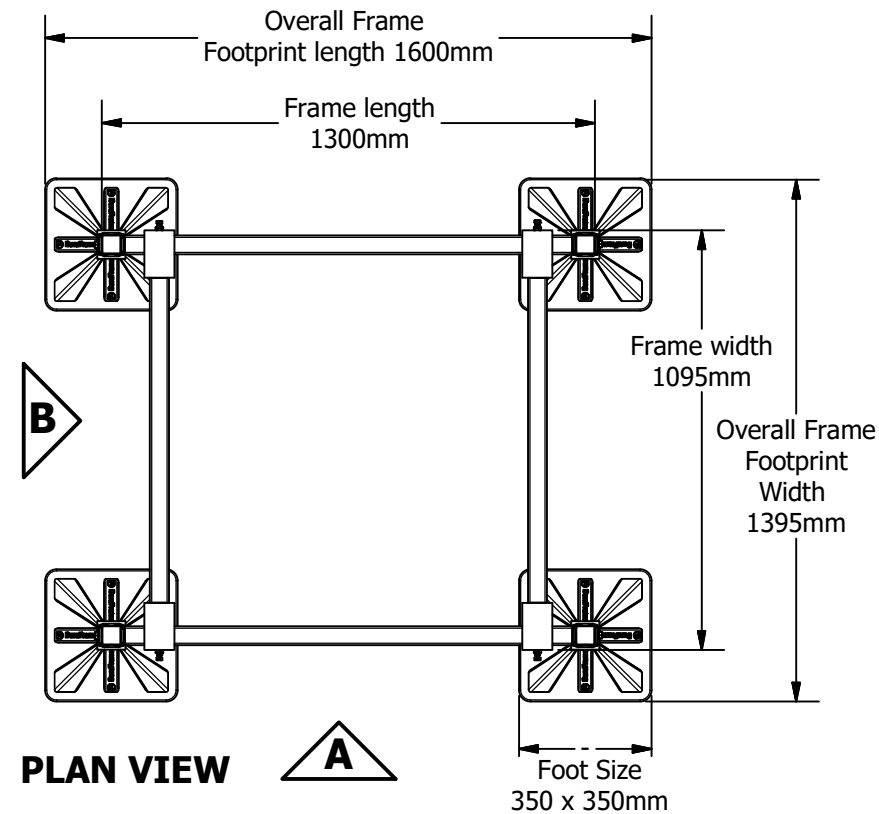
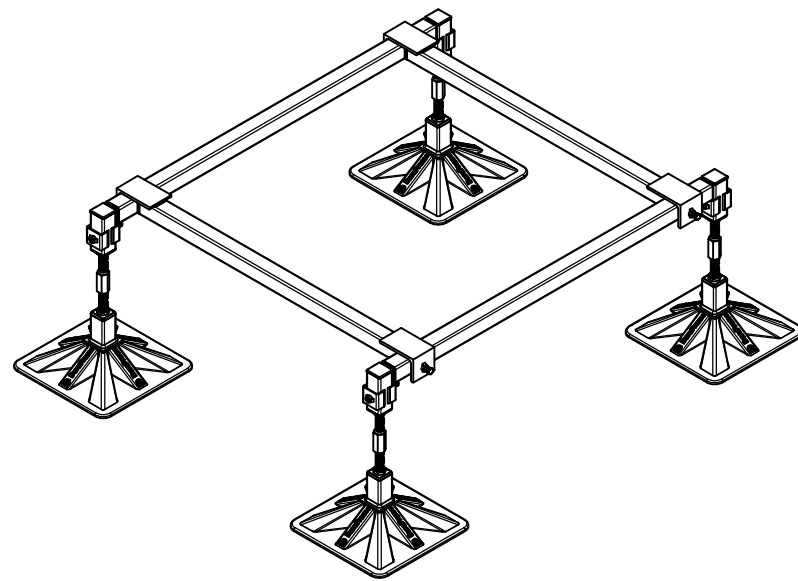


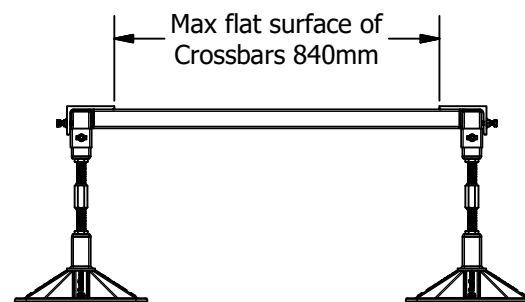
DURAFRAME

Rooftop Support Systems

STRONGPOD SINGLE MODULE



ELEVATION A



ELEVATION B

DF2001 DURAFRAME STRONGPOD - SINGLE MODULE

Modular support framework for air conditioning units and other Building Services equipment.

Construction: Main bars - 50 x 50 x 3mm SHS, steel grade: CF S235
 Leg assembly - 50 x 50 x 3mm SHS as above + M20 threaded rod (S275)
 Plastic Foot - recycled rubber with plastic binder, foot construction allows some degree of flexibility

Finish: main bars - hot dip galvanised
 Leg assembly - 4 layer micro coating (500hr SST to ASTM B117)

Weight: Approx. weight of DF2001 components: 44kg

Loading: Max cross bar loading 500kg UDL
 Max side bar loading 500kg UDL
 Max load on any individual leg assembly must not exceed 250kg

Note: loadings stated only apply on flat, level bearing surface with uniformly distributed load and do not take into account any imposed loads from wind/snow etc. Any eccentricity of the applied load should be noted to a qualified structural engineer for verification.

Due to manufacturing tolerances all dimensions are approximate and should be verified on site
 It is the responsibility of the customer to thoroughly check all measurements, loadings, calculations etc. and consult a suitably qualified structural engineer to confirm the suitability of the proposed framework and substrate on which it will be mounted, including any other relevant factors such as wind/snow loading, building location/height etc.
 Any Duraframe weight capacities stated are for uniformly distributed loads.
 All Duraframe installations should be carried out by competent and suitable qualified persons and all in accordance with any relevant regulations/recommendations in force

Fabricated in the UK for Brymec Ltd
 Unit C Redlands, Coulsdon, CR5 2HT
 Tel: 020 8655 8700

www.brymec.com/duraframe

