

# Ductile Iron Bracket CIS75



## Technical Data

- Tensile strength:  $\geq 150$  MPa
- Compression strength:  $\geq 450$  MPa
- Shear strength:  $\geq 165$  MPa
- Density: approx.  $7.2 \text{ kg/dm}^3$  ( $71.5 \text{ kN/m}^3$ )
- Low thermal expansion ( $0.0105 \text{ mm/mK}$ )

## Applicable Standards

- Pipe & Fittings Standard: EN 877

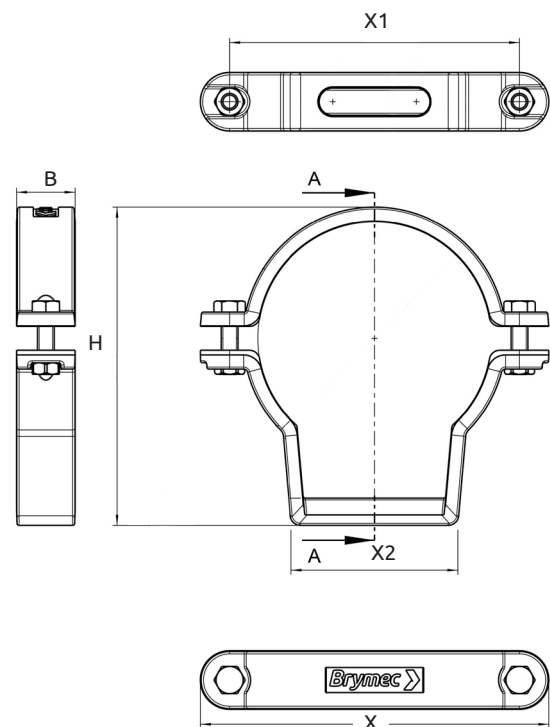


## Features Benefits

- Excellent acoustic properties
- Fully recyclable
- High durability and abrasion resistance
- Optimum corrosion protection
- Sturdy and dimensionally stable
- Rapid and simple assembly

## Material Specifications

Description	Materials
Bracket	Ductile Iron
Clamping Bolt	M8 x 30mm BZP



## Product Codes and Dimensions

STOCK NO.	Nominal Dimension (mm)	H (mm)	X (mm)	X1 (mm)	X2 (mm)	B (mm)	Weight (mm)
52032	50	99	115	87	49	27	0.43
52033	70	120	135	107	59	27	0.53
52034	100	153	167	139	80	28	0.66
52035	150	202	215	185	85	32	0.97
52036	200	264	266	239	105	32	1.48