

# Gas Solenoid Valve Fast Open 230V - 1 ¼ to 2" SOL2



## Features and Benefits

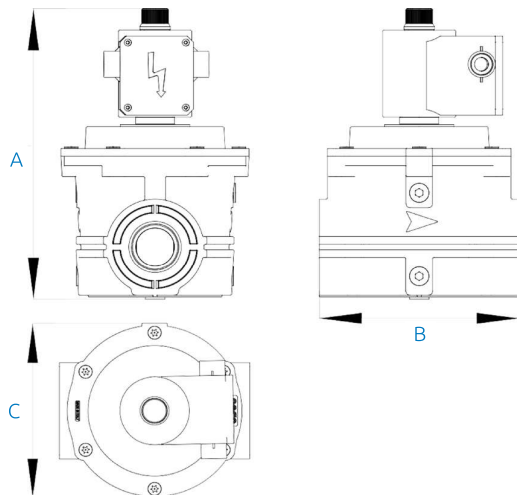
- Fast Opening/Closing <1 second
- 20 Operations per minute
- Fail Safe Closed
- Automatic Reset
- 230V (-15%+10%) 50-60Hz
- 5 Test Point connections 1/4" NPT

## Technical Data

- Field of application: Non aggressive Gas family 123 & air
- Maximum Working Pressure: 360 mbar
- Working Temperature: -20°C to +60°C

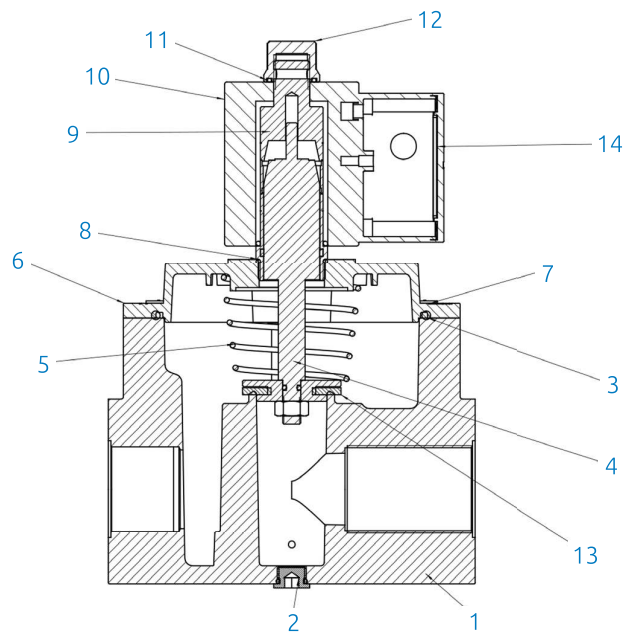
## Applicable Standards

- Thread Standard ISO 228/1
- EN161/PED/EAC
- Coils to class F copper wire class H
- Protection degree IP65
- Complies with PED 2014/68/EU



## Product Codes & Dimensions

STOCK NO	DN	A	B	C	Kg
36683	1.1/4"	245	165	155	4.2
36684	1.1/2"	245	165	155	4.2
36685	2"	245	165	155	4.6



## Material Specifications

PART NO	PART NAME	MATERIAL
1	Body	Aluminium Alloy
2	Screw Plugs	Aluminium Alloy
3	O-Ring	NBR
4	Plunger	Steel - Brass
5	Spring	Stainless Steel
6	Cover	Aluminium Alloy
7	Screw	Steel
8	O-Ring	NBR
9	Pilot	Steel - Brass
10	Coil	Steel - Nylon - Copper
11	O-Ring	NBR
12	Locking ring	Aluminium Alloy
13	Gasket	NBR
14	Connector	Nylon