

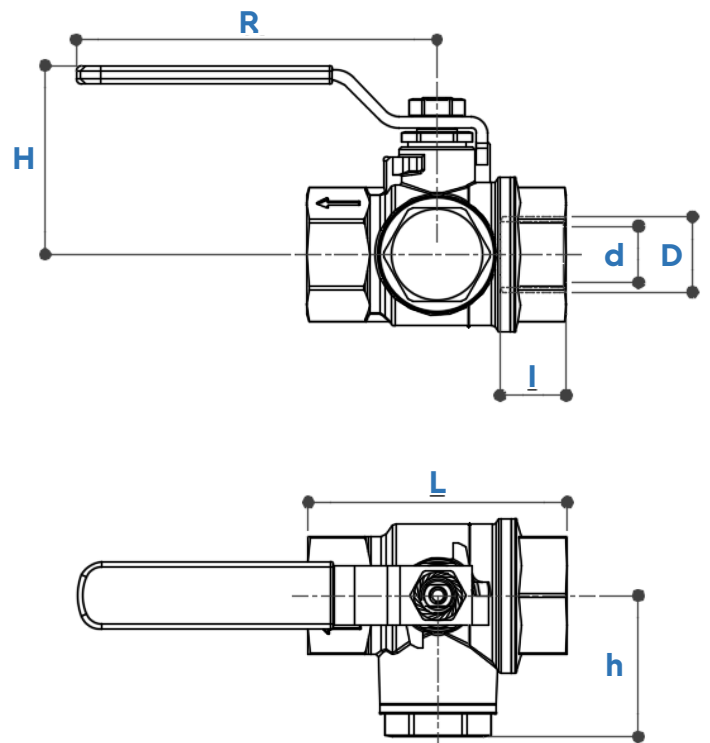
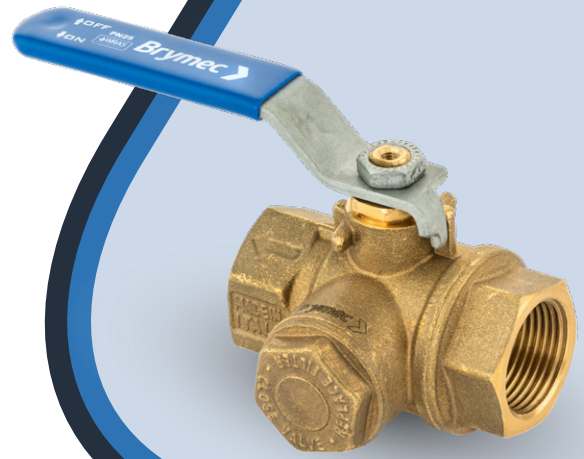
FxF Filter Ball Valve

Specifications

Connection	Female x Female
Fitting Type	DZR Brass Manufactured to EN 13828
Type	Heavy Duty Lever Ball Valve with integral strainer and reversible steel handle
Max. Operating Pressure	16 bar – 100°C – non shock 10 bar – 150°C – non shock
Max Differential Pressure	10 bar
Working Temperature	-20°C to 150°C -20°C: lower temperature limit with 50% glycol. No frost.
Suitable Application	To provide isolation and filtering of heating and/or potable water circuits.

Materials

Body	DZR Brass CW602N (EN 12167) CuZn36Pb2As
Ball	DZR Brass CW602N (EN 12167) CuZn36Pb2As
Stem	CW602N (EN 12167) CuZn36Pb2As
Stuffing box	DZR Brass CW602N (EN 12167) CuZn36Pb2As
Strainer	AISI 304 grade Stainless Steel
Circlip	Phosphor Bronze
Seat	2 x PTFE + 1 x PTFE on the stem
O-Rings	2 x FKM
Handle	Delta Protect coated steel with PVC grip handle



Dimensions (mm)

Product Code	31020	31021	31022	31023	31024	31025
D	1/2"	3/4"	1"	1 1/4"	1 1/2"	2"
d	18	20	28.5	35.5	45	45
H	50	50	66	82	89	89.5
h	37	37	51	60	74	76.5
l	15	16	21.5	23.5	23.5	26
L	69	69	95	111	127	154
R	95	95	120	150	150	150
Weight (g)	435	445	1145	1900	2800	3260

Certification



(1/2" to 1 1/4")

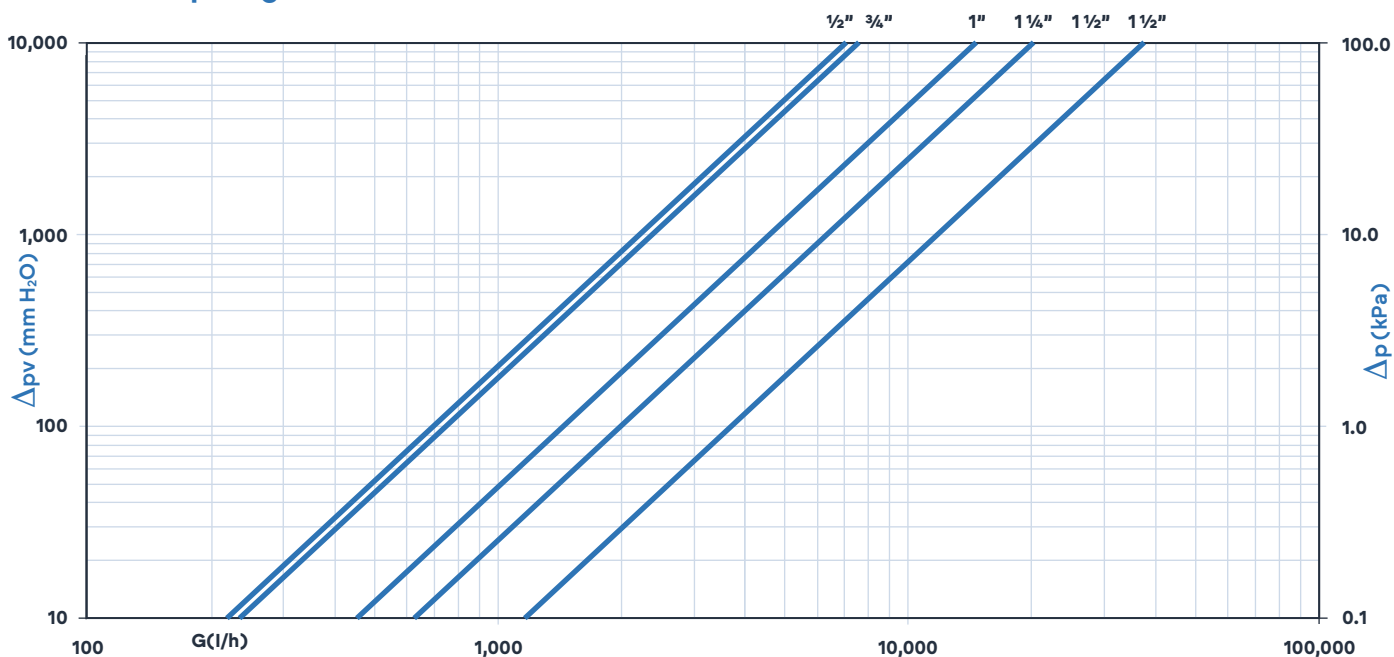


Cert: 03/001622



NSF Reg 4

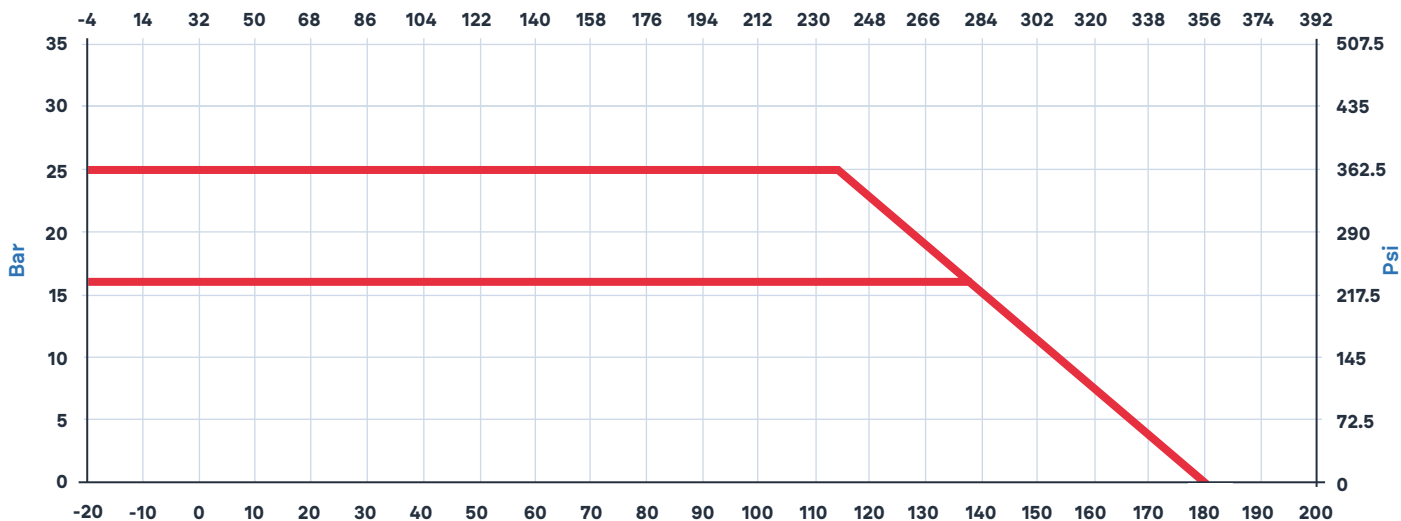
Pressure Drop Diagram



Dim.	1/2"	3/4"	1"	1 1/4"	1 1/2"	2"
Kv	7	7.5	14.5	20	37	37
PN	25	25	25	16	16	16

Kv Values using FM28 strainer.

Pressure/Temperature Graph

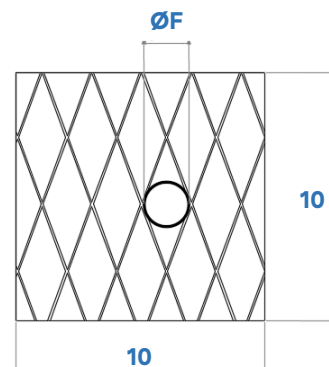


Stainless Steel Strainer

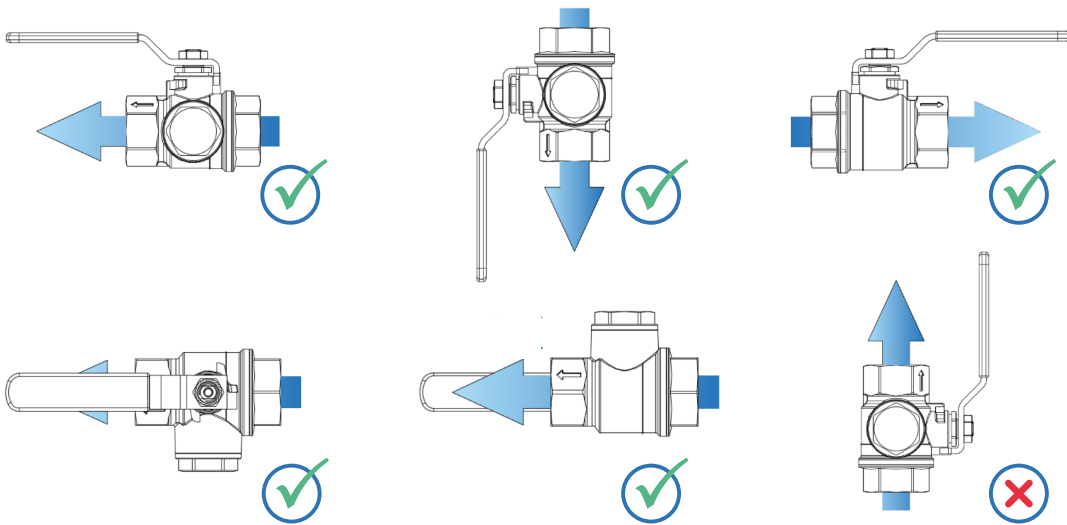
Type	Mesh per linear 1"	Filtering capacity	Casing
FM28	28	Ø 700 µm (0,7 mm)	Single

Pressure loss – Kv Values

Type	1/2"	3/4"	1"	1 1/4"	1 1/2"	2"
With FM28 Strainer	7	7.5	14.5	20	37	37



Installation



Maintenance

In order to avoid pressure losses due to limescale deposits, annual cleaning of the filter strainer is recommended. Please follow the instructions below to clean or replace the strainer:

