

DZR Brass Differential Pressure Control Valve - FxF BSPT COM5

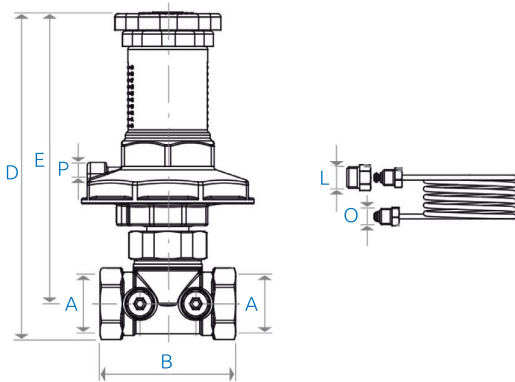


Features & Benefits

- Maintains constant differential pressure with any flow
- Low (L) & high (H) differential pressure ranges as standard
- L mode = 5 - 30 kPa and H mode = 25 - 60 kPa
- Factory set to minimum
- Supplied with 1m capillary for connection to Partner valve
- Return mounted
- Can be installed in horizontal or vertical pipework
- DZR, EPDM wetted parts

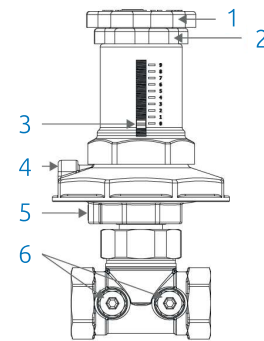
Technical Data

- Compatible Fluids: Water, glycol-based solutions (max. 50% of glycol)
- Temp. Range: 5 - 110 °C (-20 - 110 °C with anti-freezing glycol)
- Max. Working Pressure: 16 bar
- Max. Differential Pressure: 6 bar
- Setting of Differential Pressure Range: "L" setting = 5 - 30 kPa; "H" setting = 25 - 60 kPa
- Connections for pressure outlets: 1/4" F (Rp - EN 10226)
- Connections for copper capillary: 1/8" F (Rp - EN 10226)



Materials

- Body and internal components: brass EN12165 - CW602N (DZR)
- Other components not in contact with water: brass EN12165 - CW617N
- Membrane: EPDM with nylon reinforcement
- O-Ring: EPDM
- Springs: galvanized steel
- Plastic components: PA 6 GF15 and POM
- Capillary pipe: copper



Material Specifications

NO	DESCRIPTION
1	Adjustment knob
2	Knob-removing ring nut
3	Indicator ring with graded scale
4	Connection to capillary pipe
5	Air-purging screw
6	Pressure outlets

Product Codes & Dimensions

STOCK NO	A	B	D	E	F	L	O	P	Kv
36548	1/2" F	65	185	170	108	R 1/4" M	R 1/8" M	Rp 1/8" F	2.24
36550	3/4" F	75	188	170	108	R 1/4" M	R 1/8" M	Rp 1/8" F	3.49
36554	1" F	85	202	181	108	R 1/4" M	R 1/8" M	Rp 1/8" F	5.92
36555	1 1/4" F	95	208	181	108	R 1/4" M	R 1/8" M	Rp 1/8" F	6.95
36556	1 1/2" F	100	220	192	108	R 1/4" M	R 1/8" M	Rp 1/8" F	11.72
36558	2" F	130	227	192	108	R 1/4" M	R 1/8" M	Rp 1/8" F	12.97