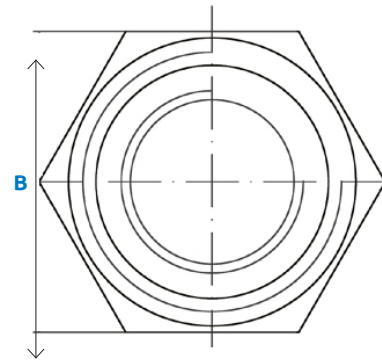
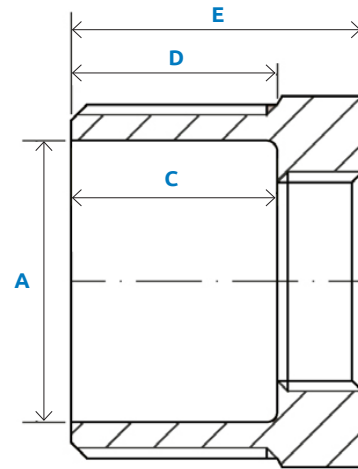


Stainless Steel Hexagon Reducing Bush



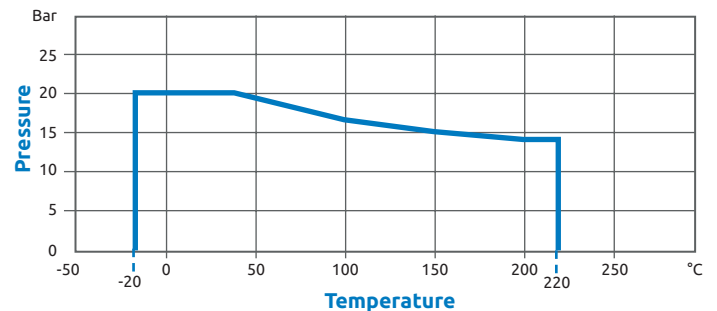
Features and Benefits

- Made from CF8M (316) Stainless Steel material and conform to ISO 4144 standard.
- Threads are to BSP Taper (ISO 7/1) or NPT (ANSI B1.20.1).
- Material certificates available on request.
- Tested & inspected prior to despatch.
- 12 month warranty from date of installation.
- Manufactured in accordance with ISO9001:2015 quality system.

Product Codes and Dimensions

STOCK NO.	SIZE	A	B	C	D	E
39611	1/4" x 1/8"	8.4	15.0	12.0	12.5	19.0
39612	3/8" x 1/4"	11.0	19.0	10.0	14.0	20.3
39613	1/2" x 1/4"	15.0	22.5	15.0	17.0	23.7
39614	1/2" x 3/8"	15.0	22.5	14.0	17.0	23.7
39615	3/4" x 1/2"	20.5	29.0	15.8	18.0	26.0
39616	1" x 1/2"	26.0	35.5	17.4	19.0	27.0
39617	1" x 3/4"	26.0	35.5	13.6	19.0	27.0
39618	1 1/4" x 1/2"	34.5	43.6	20.2	20.5	30.0
39619	1 1/4" x 1"	34.5	43.6	16.0	20.5	30.0
39620	1 1/2" x 1"	40.0	51.0	17.0	22.0	31.0
39621	1 1/2" x 1 1/4"	40.0	51.0	15.5	22.0	31.0
39622	2" x 1"	51.0	62.4	21.0	26.0	35.0
39623	2" x 1 1/4"	51.0	62.4	20.0	26.0	35.0

Temperature (°C)	Non-shock maximum working pressure (bar)
-20 to 40	20
100	16.5
150	15
200	14
220	13.5



- Pressure for intermediate temperatures may be determined by the interpolation method.
- Temperatures indicated are those of internal fluid.
- Piping loads, stresses and moments are not taken into account.