



Water Meter Assembly with Carrier & Lagging

WMA1



Features and Benefits

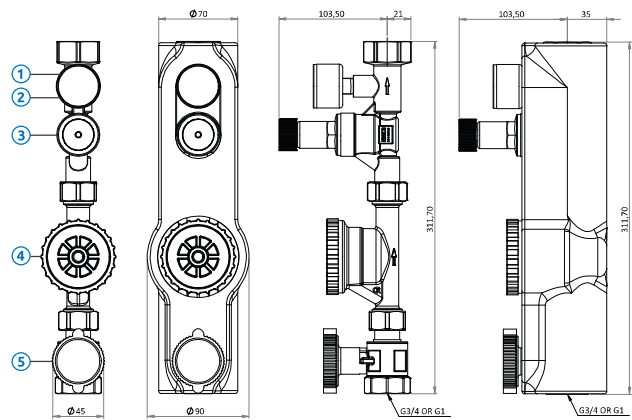
- Compact and space saving (half the size of traditional branch valve assemblies)
- WRAS, KIWA Regulation 4 (KUKreg4) PRV conforms to BSEN 1567
- Easy to install, either horizontally or vertically
- Position of water meter can be adjusted to suit, making it easy to read the display
- Supplied pre-tested to save time on site
- Robust, with minimal service and maintenance requirements
- Supplied with carrier, ready to fit any approved water meter (or with 80-110mm spacer where required)
- Dust cap on water meter carrier protects from contamination during installation*
- Supplied with insulation as standard, which provides protection and reduces heat loss and risk of condensation

Technical Data

- Medium: DCW / Potable water
- Min. working pressure: 1 bar
- Max. working pressure: PN16
- Outlet adjustable pressure: 1.5 - 6 bar
- Pre-set outlet pressure: 4 bar
- Optimum PRV reduction ratio: 2:1
- Maximum pressure reduction ratio: 3:1
- Recommended velocity range for avoidance of noise: 1-2 m/s
- Working temperature range: 5 - 85°C
- Strainer size: 350 Micron
- Connections: 3/4" BSP or 1" BSP
- Water meter carrier connection: DN40 internal thread (screwed)

Product Codes

Stock no	Size
30967	3/4" Water Meter Assembly with Carrier & Lagging (No Meter)
30968	1" Water Meter Assembly with Carrier & Lagging (No Meter)



Number	Description
1	Pressure Gauge (0-16bar)
2	Double Check Valve (DCV)
3	Combined Pressure Reducing Valve (PRV) + Strainer
4	Water Meter Carrier + Dust Cap
5	Isolating Ball Valve

Material Specifications

Name	Material	Grade
Body	Brass	CW602N
Strainer mesh	Stainless Steel	AISI304
O-rings + flat seals	Rubber	EPDM
Ball valve	Brass	CW617N
Ball valve seal	Plastic	PTFE
Ball valve stem	Brass	CW614N
Ball valve handle	Plastic	Nylon 60% glass fibre
Insulation Shell	Plastic	PE
Water Carrier Cap	Plastic	Technyl A
Water Meter Spacer	Plastic	Radilon A

Water Meter Assembly with Carrier & Lagging (no Meter)

Technical Specification

Description	Units	With Carrier		With 110mm Spacer		
		Exc. Insulation	Inc. Insulation	Exc. Insulation	Inc. Insulation	
General						
Height	mm	312				
Width	mm	Ø67	Ø90	45	Ø90	
Depth	mm	104				
Total Weight	Kg	3/4"	1.02	1.06	1.57	1.61
		1"	0.92	0.96	1.47	1.51
Suitable Media	Potable water					
Standards & Approvals	WRAS, KIWA Regulation 4 (KUKreg4) PRV conforms to BSEN 1567					
Mounting Position	Horizontal or vertical					
Operating temperature range	°C	5 - 85				
Max. operating temperature medium according to EN 1567	°C	30				
Operating inlet pressure range	bar	1 - 16				
Outlet adjustable pressure range	bar	1.5 - 6				
Factory pre-set outlet pressure	bar	4				
Internal insulation layer (10mm PE 3013)	Thermal conductivity of internal insulation layer at 10°	W/mK	0.0320			
	Thermal conductivity of internal insulation layer at 40°	W/mK	0.0404			
Density of internal insulation shell	Kg/m ³	30				
Density of external insulation shell	Kg/m ³	80				
Fire resistance of insulation (where ordered) to DIN 75200	mm/min	<100				
Transportation & storage requirements						
Ambient temperature range permissible	°C	5 - 55				
Ambient relative humidity range permissible	°C	25 - 85 (non-condensing)				