

# ▶ Bronze Y Pattern Strainer - FxF BSPT

## STR2



### Features and Benefits

- Bronze body
- Stainless steel mesh
- Screwed cap

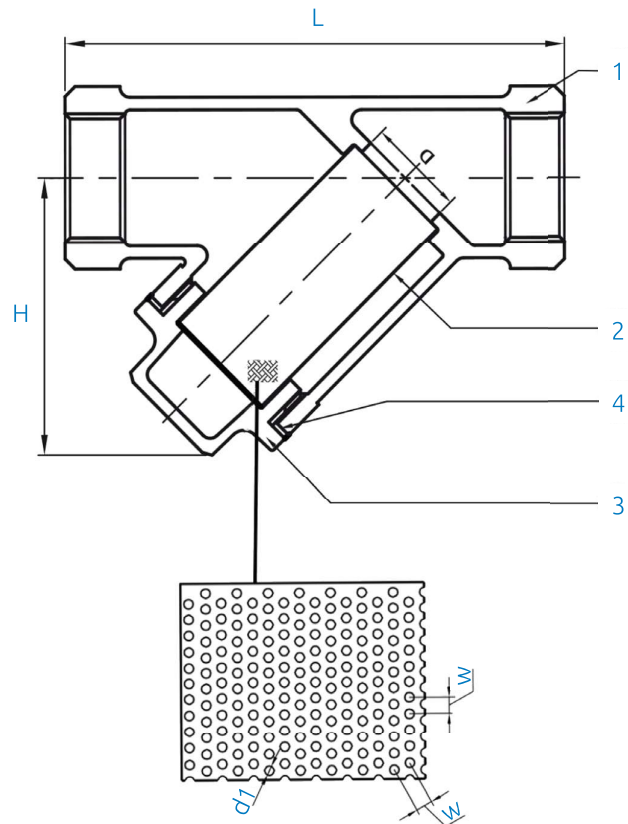
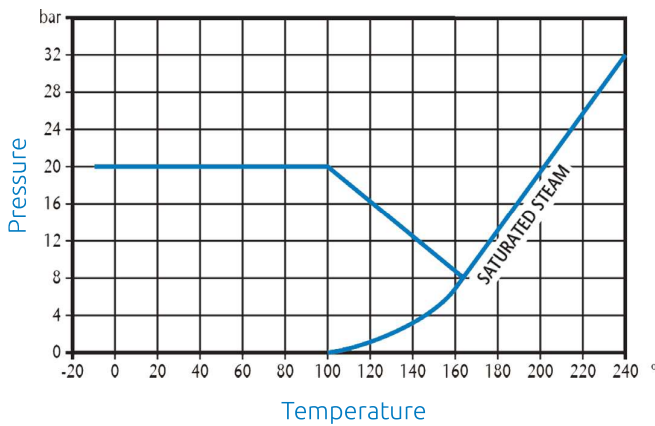
### Applicable Standards

- Screwed BSP Taper (ISO 7/1)

### Technical Data

- Max. Pressure: 20 Bar
- Operating Temp. Range: -10 to +180°C

### Pressure / Temperature



### Product Codes & Dimensions

STOCK NO	DN	L	H	D	d1	W	Kgs
38884	½"	80	48.5	14	0.84	1.27	0.31
38885	¾"	100	58	19	0.84	1.27	0.49
38886	1"	115	70	25	0.84	1.27	0.71
38887	1 ¼"	135	80	31.8	0.84	1.27	0.99
38888	1 ½"	160	93	38.1	0.84	1.27	1.46
38889	2"	190	112	50	0.84	1.27	2.44

### Material Specifications

NO	NAME	MATERIAL	QUANTITY
1	Body	Bronze	1
2	Screen	Stainless Steel	1
3	Cap	Bronze	1
4	Gasket	Non Asbestos	1