

Polybutylene Push-fit Double Check Valve PBF 07



Technical Data

- Working Press@ Temp
 - 10 Bar @ 1°C - 20°C
 - 5 Bar @ 65°C
- Not suitable for hot water re-circulation systems

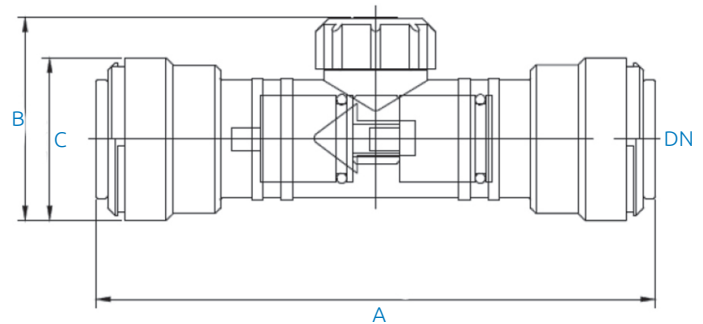
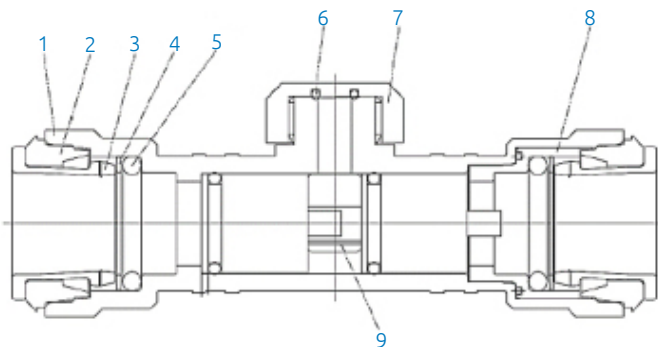
Applicable Standards

- Comply to ISO 9001 /14001
- WRAS Approved
- ASTM D-1693(IGEPAL)
- SK ZERT(SK380-001)
- NSF/ANSI-51
- NSF/ANSI-61
- FDA



Features & Benefits

- 50 Year warranty
- Labour savings of 40%
- Strong Stainless Grip Ring
- Permanent anti-leak system
- No tools required



Material Specifications

NO	Description	Materials
1	Body	POM
2	Cap	POM
3	Clip	POM & SUS
4	Support	POM
5	O-Ring	NBR & EPDM
6	O-Ring	NBR & EPDM
7	Nut	POM
8	Ring	POM
9	Spacer	POM

Product Codes and Dimensions

STOCK NO.	DN	A (mm)	B (mm)	C (mm)
36088	15	96.50	35	28