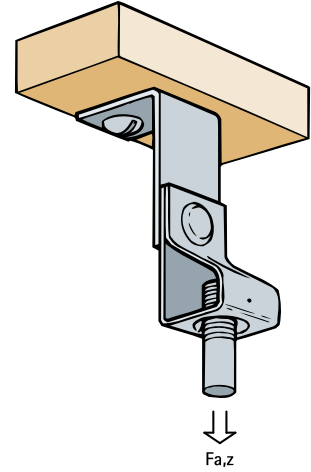
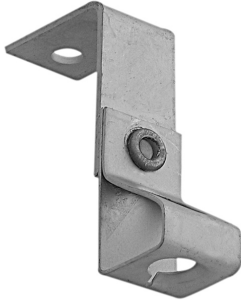


Britclips® Right Angle Threaded Rod Hanger

miscellaneous fixings

(J 50 118)

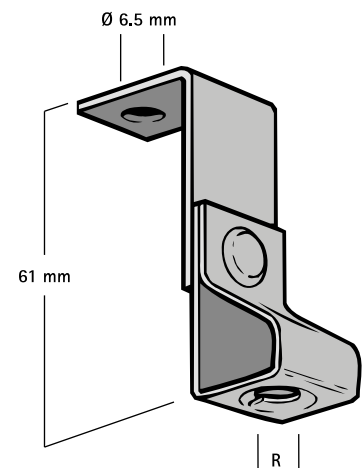


Features and benefits

- angle bracket 90°
- with threaded rod holder (rod height adjustable by screwing)
- material: Britclips® Threaded Rod Hanger made of spring steel (type CS70); Britclips® Right Angle Bracket made of steel
- surface treatment: Delta-Tone 9000 (480 hours)

Part No.	Code	R	F _{a,z} (N)
04701	RHA-10MT	M10	680

For use with static loads only.



Complementary
Walraven Stud Bolt
Walraven Threaded Rod