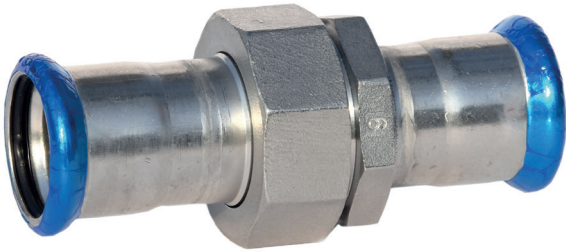


Stainless Press Union - Flat Sealing MSP70



Technical Data

- Operating temperature -20°C ~ +120°C
- 316L Stainless Steel fitting
- EPDM Sealing ring
- "M" Profile Press Jaws or slings
- Approved tools include Novapress, REMS, Rothenberger and Ridgid
- Max Working Pressure
 - 15mm - 28mm : 40 bar
 - 35mm - 54mm : 25 bar

Features and Benefits

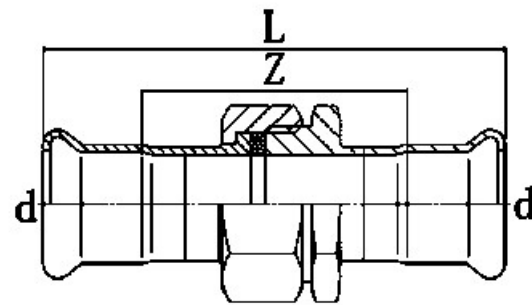
- Suitable for Potable water, Cooling systems, Industrial applications
- High grade Stainless Steel is extremely durable and corrosion resistant
- Blue plastic film which will fall off when crimped for easy identification of pressed joint
- Dust covers
- 30 Year Warranty

Applicable Standards

- WRAS Approved
- 316L grade stainless steel fitting
- DVGW-W534

Material Specifications

Description	Materials
Body	316L Stainless Steel
Crimp indicator film	PVC, Blue
O-Ring	EPDM
Dust Cap	PE



Product Codes and Dimensions

STOCK NO	d (mm)	L (mm)	Z (mm)
29508	15	89	49
29509	22	99	57
29510	28	112	66
29511	35	119	67
29512	42	128	68
29513	54	141	71