

➤ DZR Brass Pressure Reducing Valve - MxM BSPT

PRV1



Features and Benefits

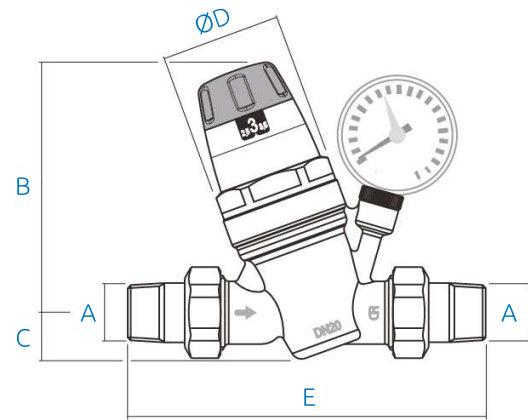
- Specifically designed for hot and cold residential services
- Controls static & dynamic pressure
- Compensated seat ensures downstream pressure is independent of upstream pressure changes
- Hydraulic design ensures low pressure loss even with a large number of outlets open
- Equalises hot and cold water supplies
- Prevent excess pressure at water outlets to improve and reduce water use
- Internal cartridge mechanism is one assembly simplifying removal for cleaning
- Supplied with pressure gauge

Applicable Standards

- Complies with EN 1567
- Screwed ends are BS EN 10226
- WRAS approved

Technical Data

- Max inlet pressure: 16 bar
- Outlet pressure setting range: 1 to 6 bar
- Factory setting: 3 bar
- Max working temperature: 80°C
- Pressure gauge range: 0 to 10 bar
- Pressure gauge connection: G1/4
- Filter mesh size: 0.51mm
- Medium: potable water



Material Specifications

COMPONENT	MATERIAL	GRADE
Body	DZR copper alloy	BS EN 12165 CW602N
Cover	Nylon	PA 66GF30
Control stem	Stainless steel	AISI 304
Cartridge	POM	
Internal components	DZR copper alloy	BS EN 12164 CW602N
Diaphragm	Nitrile rubber	
Seals	Nitrile rubber	
Strainer screen	Stainless steel	AISI 304

Product Codes & Dimensions

STOCK NO	A	B	C	D	E	Kg
36112	R 1/2"	112	20.5	54	140	0.92
36113	R 3/4"	112	20.5	54	160	1.06
36114	R 1"	112	20.5	54	180	1.38
36115	R 1 1/4"	178	40	73	200	2.6
36116	R 1 1/2"	178	40	73	220	3.4
36117	R 2"	178	40	73	250	4.3