

# Brass Stop Cock - FxF BSPP

## SCK1



### Features and Benefits

- Rotatable handle: water supply can be closed or opened easily at the turn of the tap head
- Ultra-low lead DZR brass body
- Easy installation

### Applicable Standards

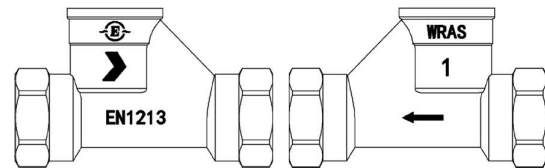
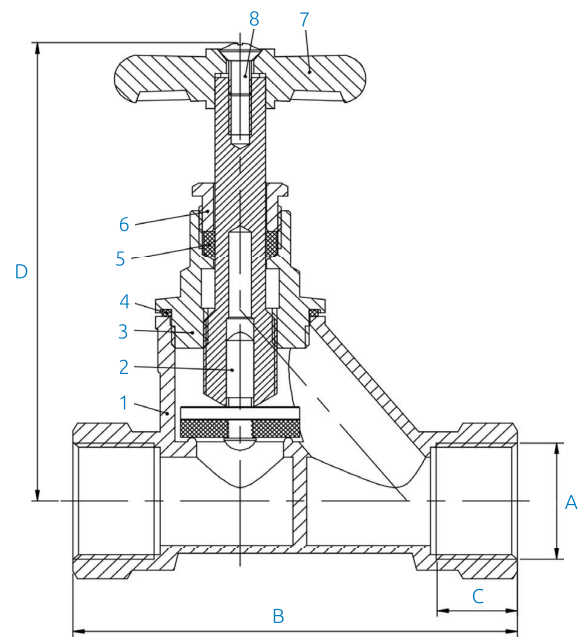
- Connection standards: EN1213
- Thread standards: ISO228

### Technical Data

- Operating Pressure range: 16bar (<30°C), 10bar (30-85°C)
- Operating Temperature range: -10 to +85°C
- Field of application: Water

### Material Specifications

NO	NAME	MATERIAL	QTY
1	Body	HPb59-T	1
2	Stem	HPb59-T	1
3	Bonnet	HPb59-T	1
4	Sealing Gasket	PTFE	1
5	Packing	PTFE	1
6	Lock Nut	HPb59-T	1
7	Handle	HPb59-T	1
8	Screw	HPb59-T	1



### Product Codes & Dimensions

STOCK NO.	SIZE	A	B	C	D
36381	1/2"	1/2"	71	15	88
36382	3/4"	3/4"	97	17.5	104.5
36383	1"	1"	114	22	129