

Polybutylene Push-fit Washing Machine Valve

PBF 06



Technical Data

- Working Press@ Temp
 - 11 Bar (170PSI) @ 1°C
 - 11 Bar (170PSI) @ 20°C
 - 7 Bar (100PSI) @ 65°C
- Not suitable for hot water re-circulation systems
- Maximum Handle Torque – 2 Nm

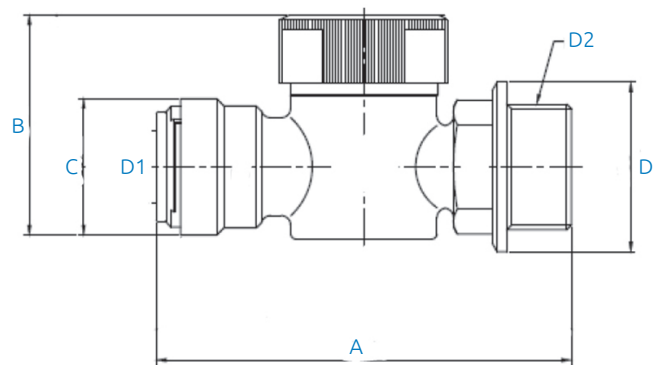
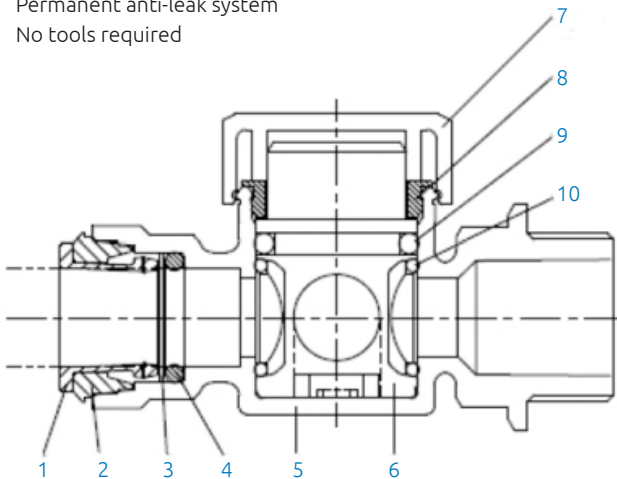
Applicable Standards

- Comply to ISO 9001 /14001
- ASTM D-1693(IGEPAL)
- KTW
- ACS
- NSF-61
- FDA
- DVGW



Features & Benefits

- 50 Year warranty
- Labour savings of 40%
- Strong Stainless Grip Ring
- Permanent anti-leak system
- No tools required



Material Specifications

NO	Description	Materials
1	Collet	POM & SUS
2	Cap	POM
3	Support	POM
4	O-Ring	NBR & EPDM
5	Body	POM
6	Shaft	POM
7	Handle	POM
8	LC	POM
9	O-Ring	NBR & EPDM
10	O-Ring	NBR & EPDM

Product Codes and Dimensions

STOCK NO.	D1 (mm)	D2 (BSPP)	A (mm)	B (mm)	C (mm)	D (mm)
36087	15	3/4"	86	45.5	28.2	35