

# ➤ Bronze Swing Check Valve - FxF BSPT

## NRV3



### Features and Benefits

- Bronze Body and Disc
- PN20 Rated
- Metal faces
- High temperature application

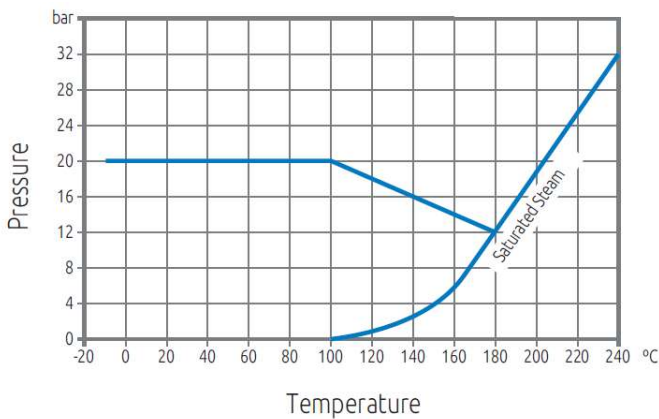
### Applicable Standards

- BS 5154 (BS EN12288)
- BSP taper connection (ISO7/1)

### Technical Data

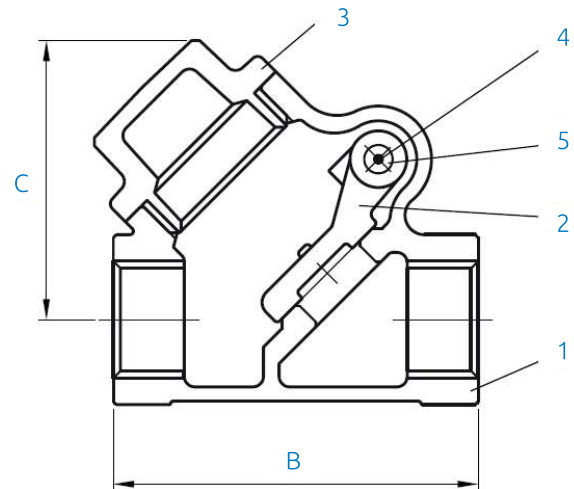
- Max. Pressure: 20 Bar
- Working Temp: -10°C to +180°C

### Pressure - Temperature Diagram



### Product Codes & Dimensions

STOCK NO.	DN	B	C	CV	WEIGHT (kg)
38877	1/2"	56.0	43.0	3.5	0.28
38878	3/4"	71.0	51.0	6.6	0.43
38879	1"	80.0	58.0	12.0	0.59
38880	1 1/4"	97	68	22.0	0.91
38881	1 1/2"	110	78	30.0	1.31
38882	2"	129	96	50.0	1.86



### Material Specifications

NO	NAME	MATERIAL
1	Body	Bronze
2	Disc	Bronze
3	Cap	Bronze
4	Hanger pin	Brass
5	Plug	Brass