

Brass Butterfly Handle Ball Valve - FxM BSPP

LBV3FM



Features and Benefits

- Red & Blue butterfly T handle
- Full Bore, Bi-directional flow
- F x M BSP threaded

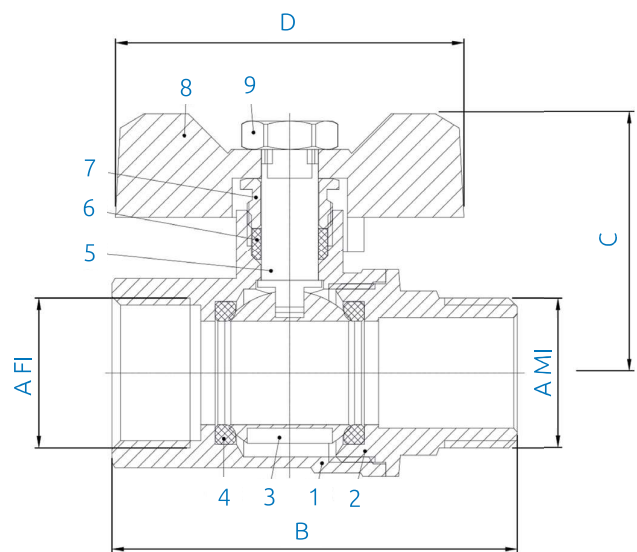
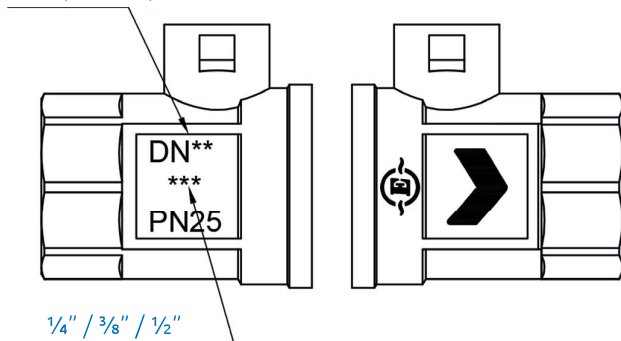
Applicable Standards

- Valves are manufactured in accordance with EN13828
- Female thread connections are to ISO228
- WRAS approved, full bore

Technical Data

- Fields of applications: water
- Maximum working pressure: 25 Bar
- Operating temperature range: -20°C to +120°C

DN8 / DN10 / DN15



Material Specifications

ITEM	PARTS	MATERIAL	QTY	OTHER
1	Body	HPb59-T	1	NP
2	Bonnet	HPb59-T	1	NP
3	Ball	HPb59-T	1	Chrome Plated
4	Ball Seat	PTFE	2	WRAS
5	Stem	HPb59-T	1	NP
6	Packing	PTFE	1	WRAS
7	Lock Nut	HPb59-T	1	NP
8	Bfy Handle	Aluminium Alloy	2	Red & Blue
9	Nut	Q235	1	NP

Product Codes & Dimensions

STOCK NO	DN	SIZE A	B (mm)	C (mm)	D (mm)
36670	8	1/4"	54	35.4	49
36671	10	3/8"	54	35.4	49
36672	15	1/2"	57	41	49