

Stainless Press Female Iron Adaptor MSP46



Technical Data

- Operating temperature -20°C ~ +120°C
- 316L Stainless Steel fitting
- EPDM Sealing ring
- "M" Profile Press Jaws or slings
- Approved tools include Novapress, REMS, Rothenberger and Ridgid
- Max Working Pressure
 - 15mm - 28mm : 40 bar
 - 35mm - 54mm : 25 bar

Features and Benefits

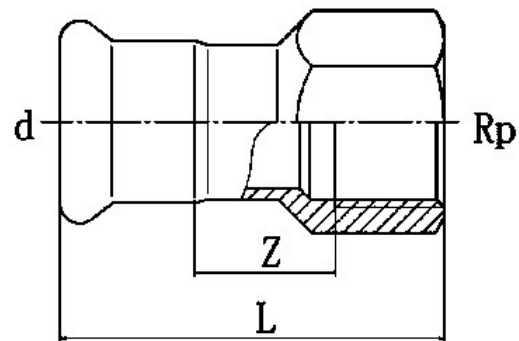
- Suitable for Potable water, Cooling systems, Industrial applications
- High grade Stainless Steel is extremely durable and corrosion resistant
- Blue plastic film which will fall off when crimped for easy identification of pressed joint
- Dust covers
- 30 Year Warranty

Applicable Standards

- WRAS Approved
- 316L grade stainless steel fitting
- DVGW-W534

Material Specifications

Description	Materials
Body	316L Stainless Steel
Crimp indicator film	PVC, Blue
O-Ring	EPDM
Dust Cap	PE



Product Codes and Dimensions

STOCK NO	d	Rp	L	Z
29491	15	1/2"	55	20
29492	15	3/4"	59	21
29493	22	1/2"	58	24
29494	22	3/4"	61	25
29495	22	1"	66	26
29496	28	3/4"	65	26
29497	28	1"	70	28
29498	35	1 1/4"	72	25
29499	42	1 1/2"	77	26
29500	54	2"	94	34