

# Brass Automatic Air Vent

**AVE1**  *Warranty*



## Features and Benefits

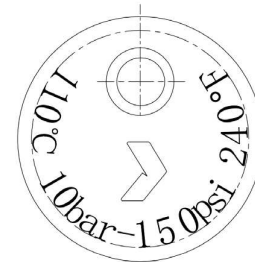
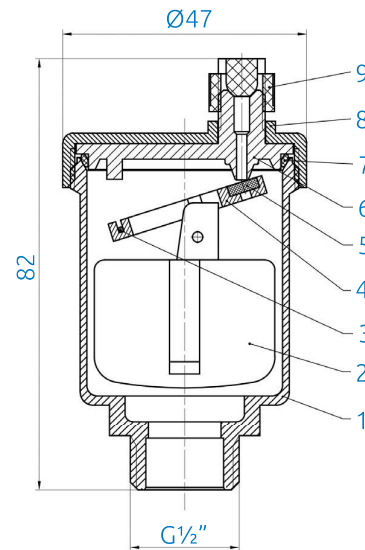
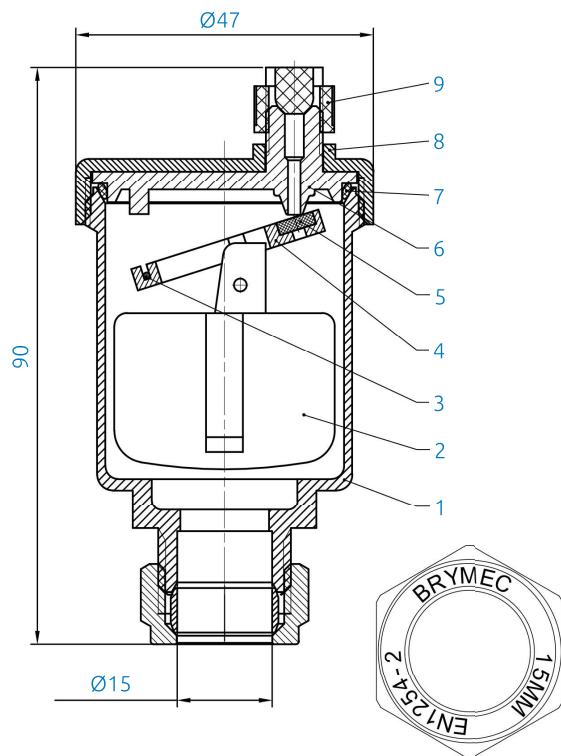
- Automatic air venting during operation
- Suitable for heating/cooling or sanitary
- Can discharge large quantities of air
- Avoids negative phenomenon

## Technical Data

- Fields of Applications: Water & glycol solutions
- Max. Working Pressure: PN10
- Max. working temperature: 110°C

## Applicable Standards

- Compression connections comply with EN1254-2
- Male thread connection are to: ISO 228



## Material Specifications

NO	NAME	MATERIAL	QUANTITY
1	Body	HPb59-T	1
2	Balance Weight	PP	1
3	Tension Spring	SS302	1
4	Plastic Plate	POM	1
5	Rubber Gasket	EPDM	1
6	Cover	POD	1
7	O-Ring	EPDM	1
8	Pressure Cover	HPb59-T	1
9	Plastic Cap	POM	1
10	Compression nut	HPb59-T	1
11	Olive	T2	1

## Product Codes & Dimensions

STOCK NO.	SIZE
36250	15mm
36254	1/2"