

Bronze Gate Valve - FxF BSPT

GVA2



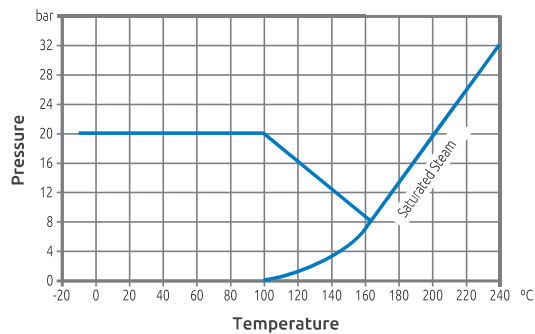
Features and Benefits

- Screwed BSP Taper (ISO 7/1)
- Bronze Body and Disc
- Screwed Bonnet

Applicable Standards

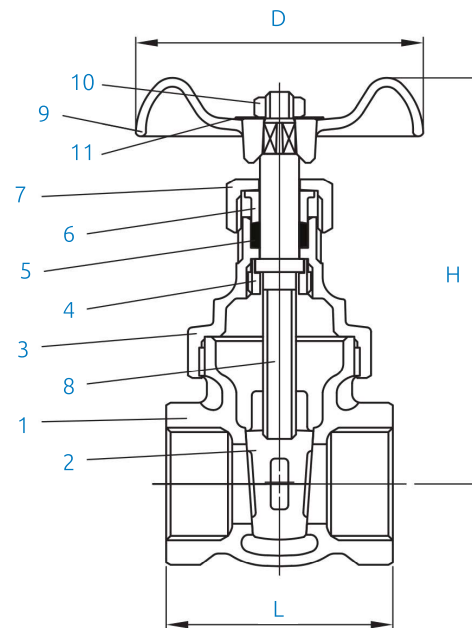
- PN20 Rated
- BS 5154 (BS EN 12288)
- WRAS Approved

Pressure - Temperature Diagram



Technical Data

- Maximum working pressure: PN20
- Working temperature range: -10°C to +232°C



Product Codes & Dimensions

STOCK NO.	DN	L	H	D	WEIGHT (kg)
38856	15	47.5	78.0	53.0	0.33
38857	20	51.5	94.0	63.5	0.48
38858	25	58.6	109.0	68.5	0.65
38859	32	63.0	120.0	80.0	0.93
38860	40	66.5	142.0	90.0	1.24
38861	50	73.5	163.0	103.0	1.92

Material Specifications

NO	COMPONENT	MATERIAL
1	Body	Bronze ASTM B62 C83600
2	Disc	Bronze ASTM B62 C83600
3	Bonnet	Bronze ASTM B62 C83600
4	Lock nut	Bronze ASTM B16 C3600
5	Stem packing	PTFE
6	Gland	Bronze ASTM B16 C3600
7	Packing nut	Bronze ASTM B16 C3600
8	Stem	Bronze ASTM B16 C3600
9	Hand wheel	Cast Iron ASTM A126 Class B
10	Wheel nut	Steel Zn Plated ASTM A563
11	Name plate	Aluminium ASTM B92 1100