

Brass Lever Ball Valve - Compression

LBV2C

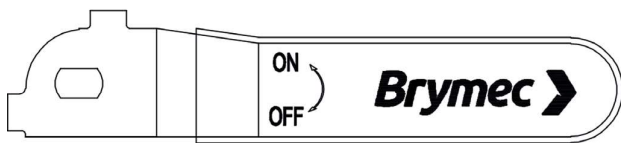
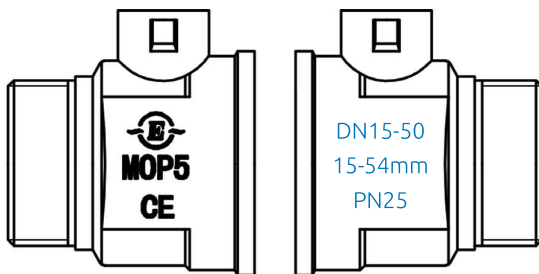


Features and Benefits

- Compression connections
- PTFE seats & seals
- Full Bore, bi-directional flow
- Red & Blue handle included
- Locking lever and spindle extension options available

Technical Data

- Fields of applications: water
- Maximum working pressure: 25 Bar
- Operating temperature range: -20°C to +110°C

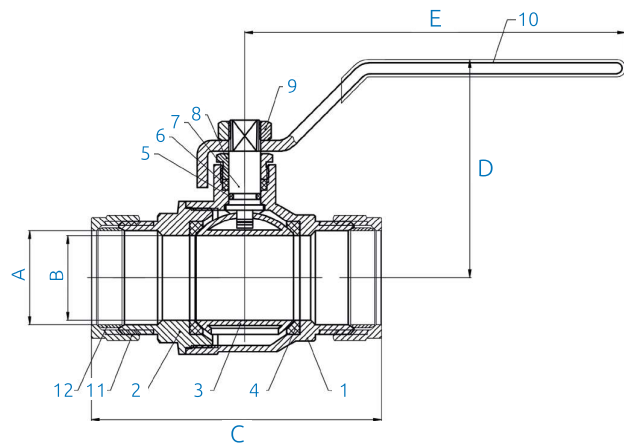


Product Codes & Dimensions

STOCK NO	DN	SIZE	A	B	C	D	E
30750	½"	15	14.4	70.5	47	88	
30751	¾"	22	19	82	52	100	
30752	1"	28	24.5	91	65	125	
30753	1¼"	35	31.5	108	78	142	
30754	1½"	42	39.5	123	88	142	
30755	2"	54	49.5	144	96	165	

Applicable Standards

- Valves are manufactured in accordance with EN13828
- Compression connections comply with EN1254-2
- WRAS approved, full bore



Material Specifications

ITEM	PARTS	MATERIAL	QTY	OTHER
1	Body	HPb59-T	1	NP
2	Bonnet	HPb59-T	1	NP
3	Ball	HPb59-T	1	Chrome Plated
4	Ball Seat	PTFE	2	WRAS
5	O-ring	EPDM	1	WRAS
6	Packing	PTFE	1	WRAS
7	Stem	HPb59-T	1	NP
8	Lock nut	HPb59-T	1	NP
9	Nut	SS304	1	-
10	Handle	Q235+PVC	2	Red & Blue
11	Compression nut	HPb59-T	2	NP
12	Olive	H65	2	-