

Brass Butterfly Handle Ball Valve - MxM BSPP

LBV3MM



Features and Benefits

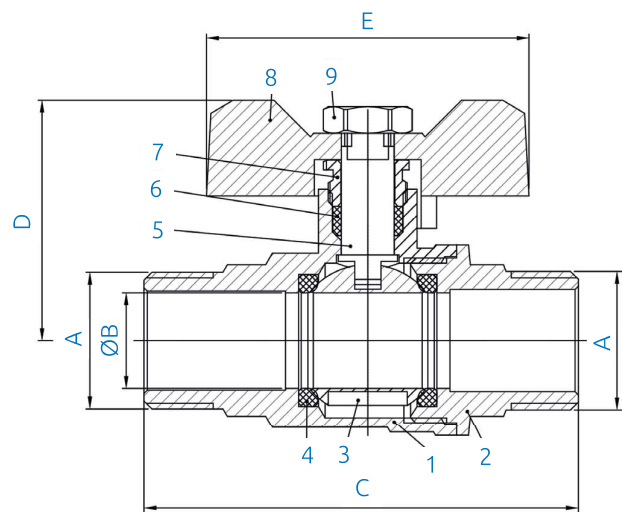
- Red & Blue butterfly T handle
- Full Bore, Bi-directional flow
- M x M BSP threaded

Applicable Standards

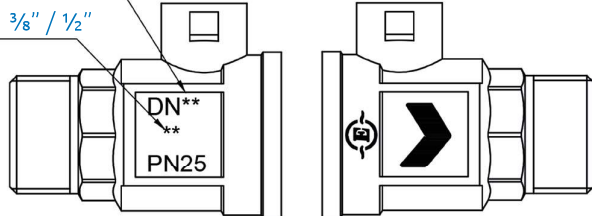
- Valves are manufactured in accordance with EN13828
- Female thread connections are to ISO228
- WRAS approved, full bore

Technical Data

- Fields of applications: water
- Maximum working pressure: 25 Bar
- Operating temperature range: -20°C to +120°C



DN10 / DN15



Material Specifications

ITEM	PARTS	MATERIAL	QTY	OTHER
1	Body	HPb59-T	1	NP
2	Bonnet	HPb59-T	1	NP
3	Ball	HPb59-T	1	Chrome Plated
4	Ball Seat	PTFE	2	WRAS
5	Stem	HPb59-T	1	NP
6	Packing	PTFE	1	WRAS
7	Lock Nut	HPb59-T	1	NP
8	Bfy Handle	Aluminium Alloy	2	Red & Blue
9	Nut	Q235	1	NP

Product Codes & Dimensions

STOCK NO	DN	SIZE	A	B	C	D	E
36676	10	3/8"	10	61	35.5	49	
36677	15	1/2"	14.5	66	36.5	49	