

Chrome Isolating Valve With Lever

ISO1L

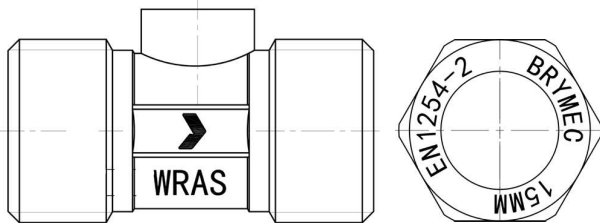
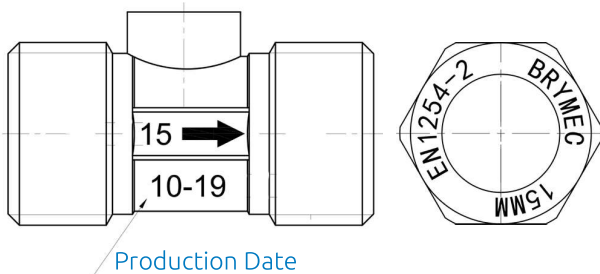


Features and Benefits

- Nickel chrome plated brass
- Uni-directional flow
- Non-shock, use only fully opened or closed

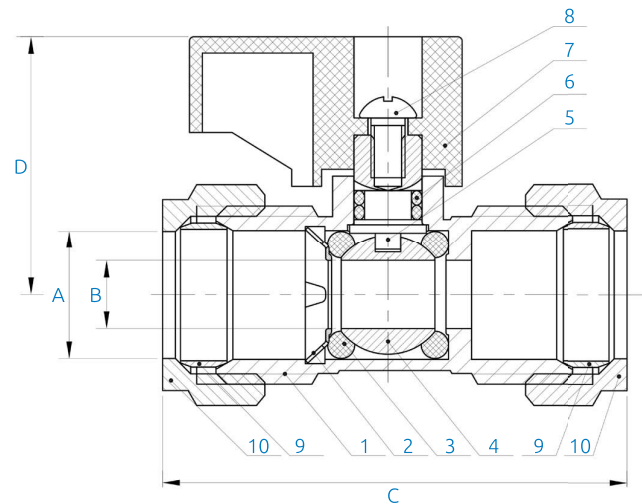
Applicable Standards

- Valves are manufactured in accordance with: BS6675
- Compression connections comply with: EN1254-2
- WRAS Approved



Technical Data

- Fields of Applications: Water
- Max. Working Pressure: PN10
- Operating Temp. Range: -10 to + 90°C



Material Specifications

NO	NAME	MATERIAL	QUANTITY
1	Body	HPb59 - 3	1
2	Circlip	304 (Hardness 280°)	1
3	O-ring	EPDM	2
4	Ball	HPb56 - 4	1
5	Stem	HPb58 - 2	1
6	O-ring	EPDM	2
7	Handle	ABS	1
8	Screw Nut	Q235	1
9	Olive	T2 copper	2
10	Compression nut	HPb59 - 3	2

Product Codes & Dimensions

STOCK NO.	DN	A	B	C	D
30840	15	15	8	54.5	30.5
30841	22	22	12	67	32.5