

Bass Lever Ball Valve - FxF BSPP

LBV2

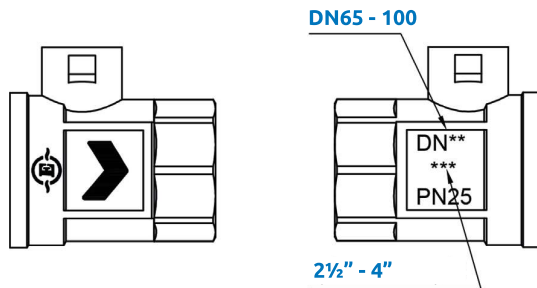


Features and Benefits

- Screwed BSP parallel
- PTFE seats & seals
- Anti blow out stem
- Full bore, bi-directional flow
- Locking lever handles available
- Thermal extension spindle options

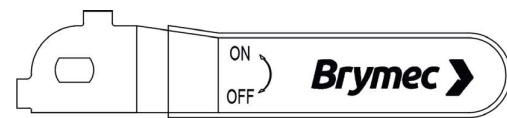
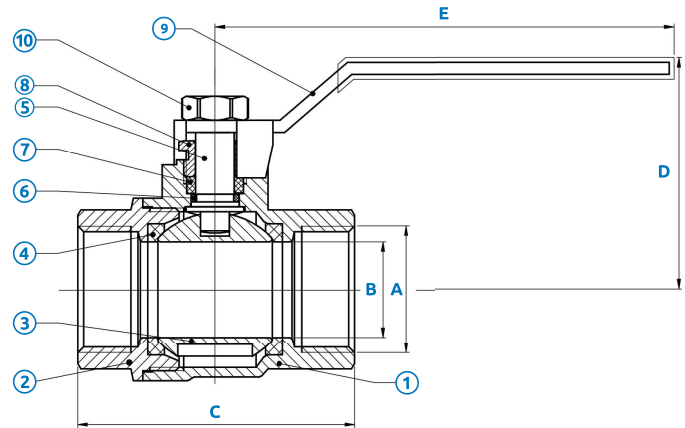
Applicable Standards

- Valves are manufactured in accordance with: EN13828
- Female thread connections are to: ISSO228
- WRAS approved, full bore



Technical Data

- Fields of applications: Water
- Max. working pressure: PN25
- Operating temperature range: -20°C to +120°C



Material Specifications

NO	NAME	MATERIAL	QTY	OTHER
1	Body	HPb59-T	1	Nickel Plating
2	Bonnet	HPb59-T	1	Nickel Plating
3	Ball	HPb59-T	1	Chrome Plated
4	Ball Seat	PTFE	2	-
5	O-Ring	HPb59-T	1	NP
6	Packing	EPDM	1	-
7	Stem	PTFE	1	-
8	Lock Nut	HPb59-T	1	Nickel Plating
9	Handle	Q235 + PVC	1	Red & Blue CP
10	Nut	Q235	1	Zinc Plating

Product Codes and Dimensions

STOCK NO	DN	A	B (mm)	C (mm)	D (mm)	E (mm)
30725	2 1/2"	2 1/2"	62	138	128.5	24.1
30726	3"	3"	73	168	132	225
30727	4"	4"	90	199	143	280