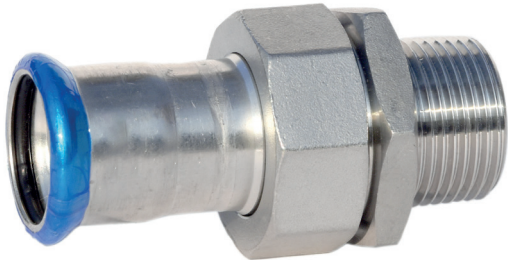


Stainless Press Male Union - Flat Sealing MSP68



Technical Data

- Operating temperature -20°C ~ +120°C
- 316L Stainless Steel fitting
- EPDM Sealing ring
- "M" Profile Press Jaws or slings
- Approved tools include Novapress, REMS, Rothenberger and Ridgid
- Max Working Pressure
 - 15mm - 28mm : 40 bar
 - 35mm - 54mm : 25 bar

Features and Benefits

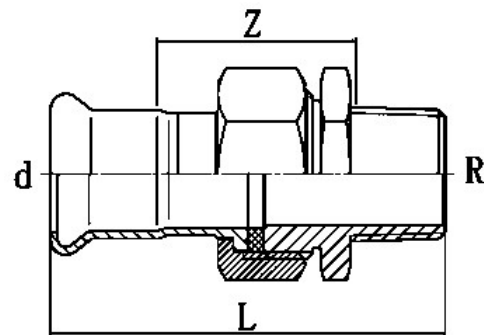
- Suitable for Potable water, Cooling systems, Industrial applications
- High grade Stainless Steel is extremely durable and corrosion resistant
- Blue plastic film which will fall off when crimped for easy identification of pressed joint
- Dust covers
- 30 Year Warranty

Applicable Standards

- WRAS Approved
- 316L grade stainless steel fitting
- DVGW-W534

Material Specifications

Description	Materials
Body	316L Stainless Steel
Crimp indicator film	PVC, Blue
O-Ring	EPDM
Dust Cap	PE



Product Codes and Dimensions

STOCK NO	d (Pipe Diameter mm)	R (mm)	L (mm)	Z (mm)
29523	15	1/2"	73	33
29524	15	3/4"	76	37
29525	22	3/4"	82	43
29526	28	1"	93	49
29527	35	1 1/4"	102	52
29528	42	1 1/2"	107	53
29529	54	2"	118	55