

Male BSP Tail 3/4"

Drain-Off Cock

DOC 05

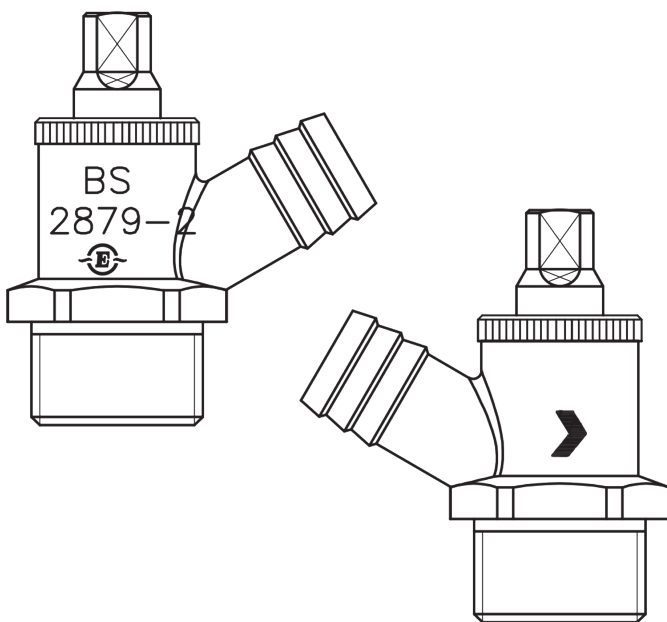


Features & Benefits

- For hot and cold water systems
- 3/4" BSP Male connections
- Square drive drain valve operation

Versions & Product Codes

STOCK NO.	SIZE
31149	3/4"

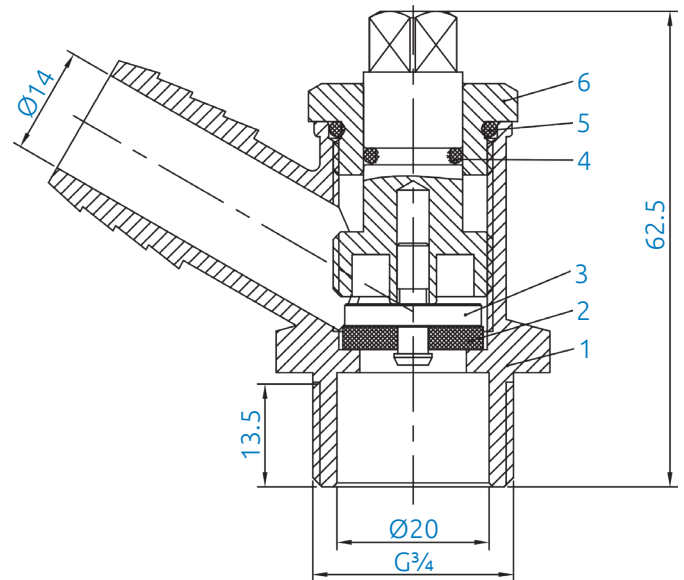


Technical Data

- Fields of Applications: Water
- Max. Working Pressure: PN10
- Operating Temp. Range: 0 to +70°C
- Max. working temperature: Up to 70°C with occasional excursions
Up to 90°C max for period of 1 hour

Applicable Standards

- Valves are manufactured to: BS2879-2
- Capillary end complies with: ISO 228
- WRAS Approved



Material Specifications

NO	NAME	MATERIAL	QUANTITY
1	Body	HPb59-T	1
2	Washer	EPDM	1
3	Stem	HPb59-T	1
4	O-ring	NBR	1
5	O-ring	NBR	1
6	Lock-nut	HPb59-T	1