

Brass Y Pattern Strainer - FxF BSPP

STR1



Features and Benefits

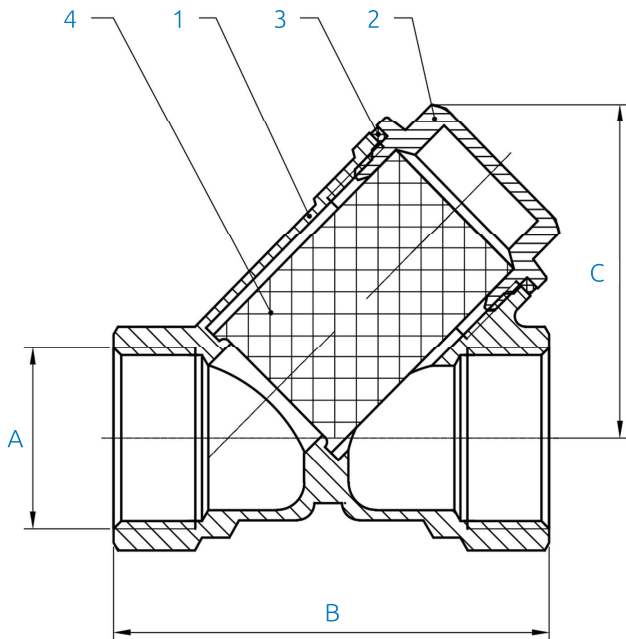
- Brass Body
- Stainless Steel Mesh
- BSP FxF Thread

Applicable Standards

- BSP parallel ISO 228/1 connections

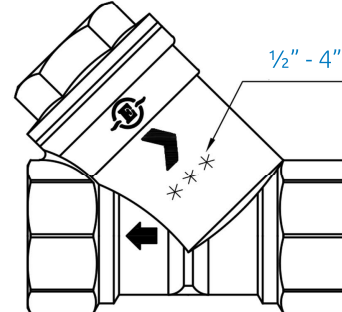
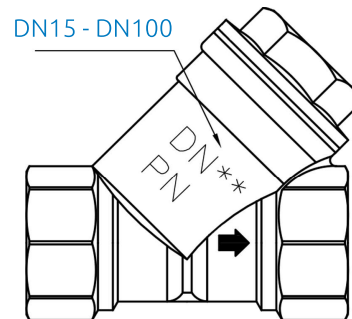
Technical Data

- Fields of applications: water
- 1/2" - 2" Maximum working pressure: PN20
- 2 1/2" - 4" Maximum working pressure: PN16
- Maximum working temperature: 90°C



Material Specifications

NO	NAME	MATERIAL	QUANTITY
1	Body	HPb59-T	1
2	Bonnet	HPb59-T	1
3	Washer	PTFE	1
4	Filter net	Stainless Steel	1



Product Codes & Dimensions

STOCK NO	DN	A	B (mm)	C	WRAS
36233	1/2"	1/2"	54	40.5	Yes
36234	3/4"	3/4"	64	48.7	Yes
36235	1"	1"	71	52.5	Yes
36236	1 1/4"	1 1/4"	91	71	Yes
36237	1 1/2"	1 1/2"	100	77	Yes
36238	2"	2"	122	94	Yes
36239	2 1/2"	2 1/2"	176	122	No
36240	3"	3"	201	135.5	No
36241	4"	4"	250	168	No