

# DZR Brass Metering Station - FxM BSPT COM2



## Features and Benefits

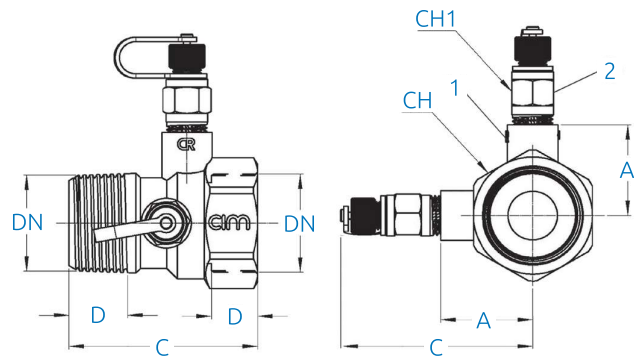
- Screwed BSP taper
- Fixed orifice with  $\pm 5\%$  flow measurement accuracy
- Can be close coupled to a double regulating valve
- Supplied with 2 fitted test points
- $\frac{1}{2}$ " available in Std, Med, Low, Ultra Low and Ultra Ultra Low flow versions

## Technical Data

- Max. Pressure: 20 bar
- Working Temp: -10 to 120°C

## Applicable Standards

- Testing 12266-1
- 1507 BSP taper connections



## Material Specifications

NO	NAME	MATERIAL
1	Body	DZR Brass CW602N-M
2	Pressure Test Point	DZR Brass

## Product Codes & Dimensions

STOCK NO.	DN	A	C	D	CH	CH1	Kgs	Kvs
38769	$\frac{1}{2}$ " UUL *	25	67	17	28	14	0.23	0.10
38770	$\frac{1}{2}$ " UL *	25	67	17	28	14	0.23	0.23
38771	$\frac{1}{2}$ " LF *	25	67	17	28	14	0.23	0.47
38772	$\frac{1}{2}$ " MF *	25	67	17	28	14	0.23	0.98
38905	$\frac{1}{2}$ "	25	67	17	28	14	0.23	1.80
38906	$\frac{3}{4}$ "	28	67	17	34	14	0.27	4.06
38907	1"	31	64	19	40	14	0.32	7.45
38908	1 $\frac{1}{4}$ "	36	71	22	51	14	0.47	16.63
38909	1 $\frac{1}{2}$ "	39	71	21	56	14	0.53	23.00
38911	2"	45	80	26	71	14	0.81	47.35

\* Use with  $\frac{1}{2}$ " LF DRV **COM03** to give low flow close coupled commissioning valve option