

Brass Lever Ball Valve - FxF BSPT (GAS)

LBV4



Features and Benefits

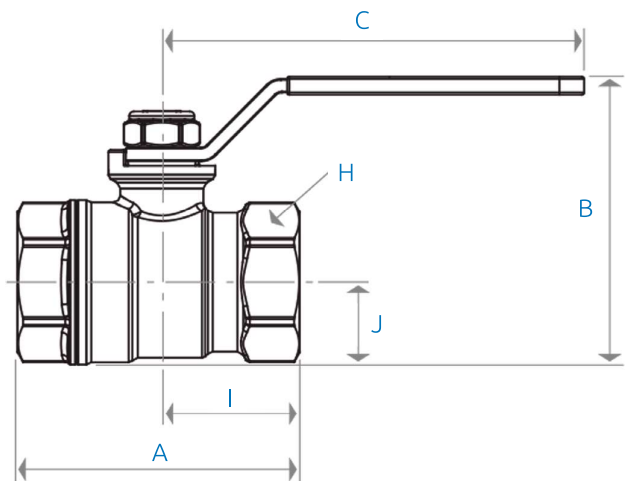
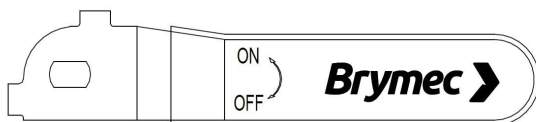
- Gas Ball valve with BSP female connections
- Yellow handle for use in gas installations
- Full bore Bi-directional flow
- EN 311 2016 certified Class A
- Suitable for dangerous gas and liquid hydrocarbons
- Stem with Double O-ring
- Nut with anti-corrosion coating with guarantee seal and hologram

Applicable Standards

- DIN EN 331:2016 certified; class A
- EN 331:2015 approved
- CE approved
- Threads in accordance with EN 10226-1

Technical Data

- Temperature range: -20°C to +60°C
- Max working pressure at 20°C with liquid hydrocarbons: 1, 2 MPa (12 Bar)
- Max operating pressure (MOP) with gas: 0, 5 MPa (5 Bar)



Materials Specification

NAME	MATERIAL	QUANTITY	OTHER
Body	CW617N	1	Chrome Plated
Seats	PTFE	2	Low friction profile
Ball	Brass	1	Chrome Plated
Body End	CW617N	1	Chrome Plated
Lever	Steel	1	PVC Yellow
Nut	Steel	1	Anti-Corrosion

Product Codes & Dimensions

STOCK NO	DN	SIZE Rp	A	I	B	J	C	H
30732	10	3/8"	45	22	46	14	77	21
30733	15	1/2"	54	27	49	15	77	25
30734	20	3/4"	63	31	64	18	94	32
30735	25	1"	75	38	73	23	94	39
30738	32	1 1/4"	84	42	82	28	94	48
30739	40	1 1/2"	93	46	100	33	136	55
30740	50	2"	107	54	115	41	136	67
30741	58	2 1/2"	146	73	154	52	173	82