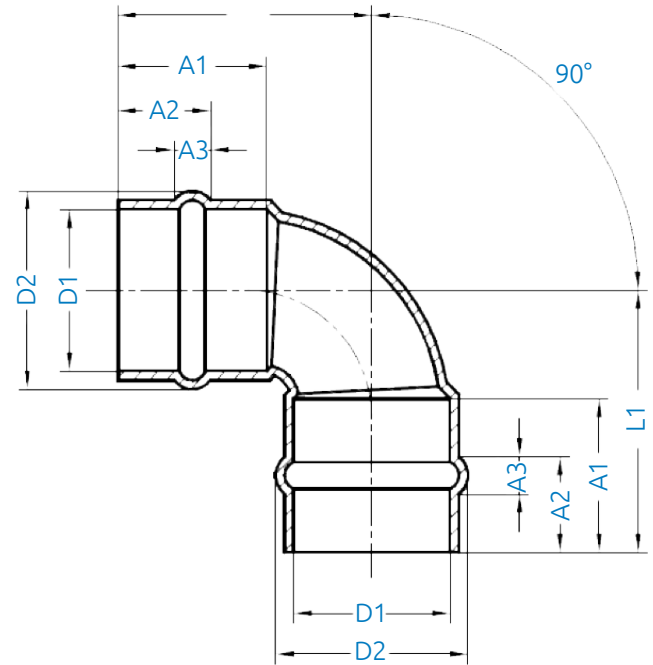


# Solder Ring 90° Elbow SRF 10



## Features & Benefits

- Pre-soldered capillary fitting
- Suitable for standard metric copper pipes
- WRAS Approved
- Material Cu-DHP / TP2 / CW024A / C12200
- Conforms to BS EN 1254-1:1998

## Versions and Products Codes

STOCK NO.	Nominal Size (D1)	Dimension					
		D2	A1	A2	A3	L1	
30320	15	18.0	13.5	9.5	3.0	23.0	
30321	22	25.5	18.5	12.0	3.0	32.0	
30322	28	31.5	21.5	13.5	3.5	38.5	
30323	35	39.5	26.5	16.5	5.0	47.0	
30324	42	47.0	31.5	17.5	5.0	55.5	
30325	54	59.5	37.5	20.5	5.0	68.0	