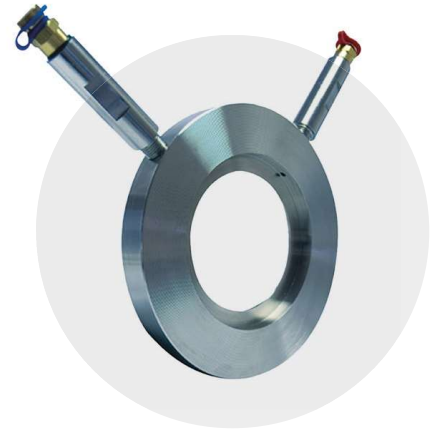


Stainless Steel Metering Station COM4



Features and Benefits

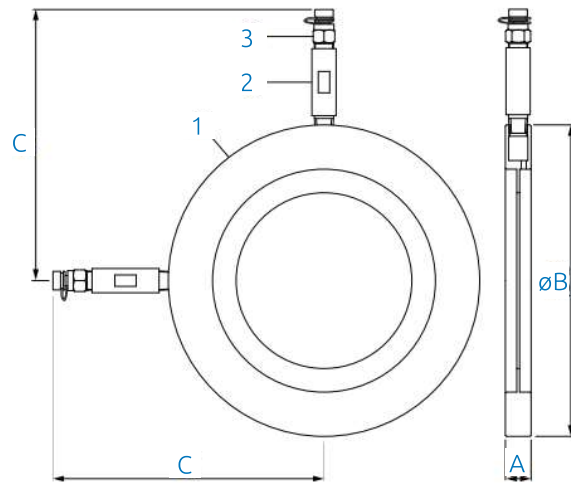
- Stainless Steel Metering Station
- Fixed Orifice, C/W Ext & Test Points
- Wafer pattern
- Fixed orifice with $\pm 5\%$ flow measurement accuracy
- Can be close coupled to a double regulating valve
- Supplied with 2 extensions and test points

Technical Data

- Max. Pressure: 16 bar
- Working Temp: -10 to 120°C

Applicable Standards

- Fits between BS EN1092 flanges PN16
- Flow characteristic confirmed to BS 7350



Material Specifications

NO	NAME	MATERIAL
1	Body	304 Stainless Steel
2	Extension	304 Stainless Steel
3	Pressure Test Point	Brass

Product Codes & Dimensions

STOCK NO	DN	A	B	C	Kgs	Kv (m ³ /hr)	Kv signal*
38918	65	20	125	145	1.9	145.5	88.5
38919	80	20	144	154	2.2	295.4	150.6
38920	100	20	164	164	2.4	702.0	281.1
38921	125	20	194	179	3.1	572.0	328.8
38922	150	20	220	192	3.4	807.0	477.5
38774	200	20	275	219	4.7	1416.0	826.0
38775	250	20	333	248	6.0	1975.0	1218.0
38776	300	20	385	304	8.0	2990.0	1794.0

* Kv signal used when calculating flow rate via differential pressure measurement across tappings